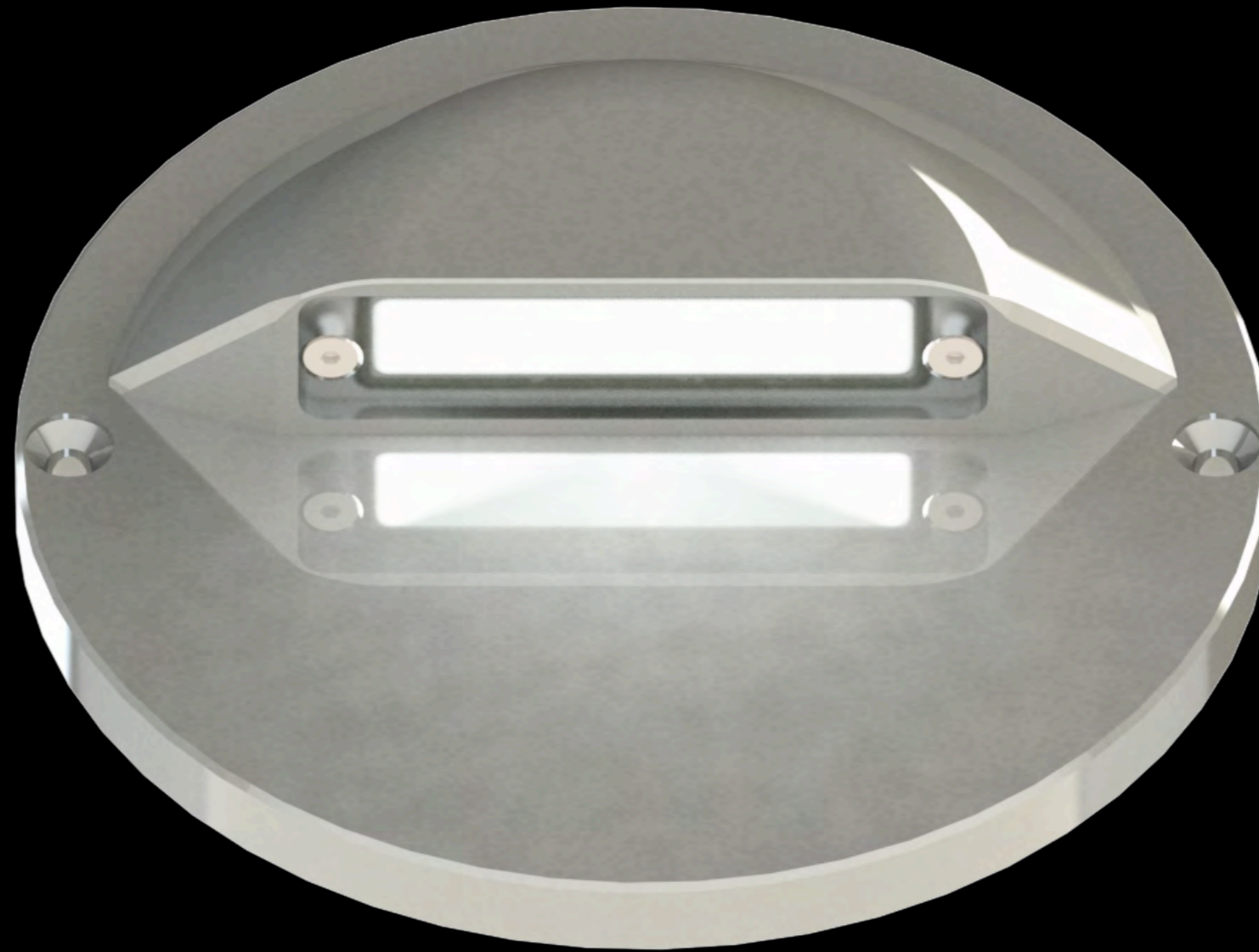


# **RALED PAVEMENT<sup>®</sup> RABF-160**



High Load Pavement Lights

# RALED PAVEMENT® RABF-160

## RALED PAVEMENT® HIGH LOAD PAVEMENT LIGHTS

The most durable recessed ground luminaires at the market with more than 40t overdrive load capacity, available in aluminium or stainless steel unibody design. Even this type of our portfolio is equipped with our outstanding reflector technology and provides very uniform floor illumination results, even in full colour or single colour versions for warning applications. With a external power supply the fixture can be easily maintained.

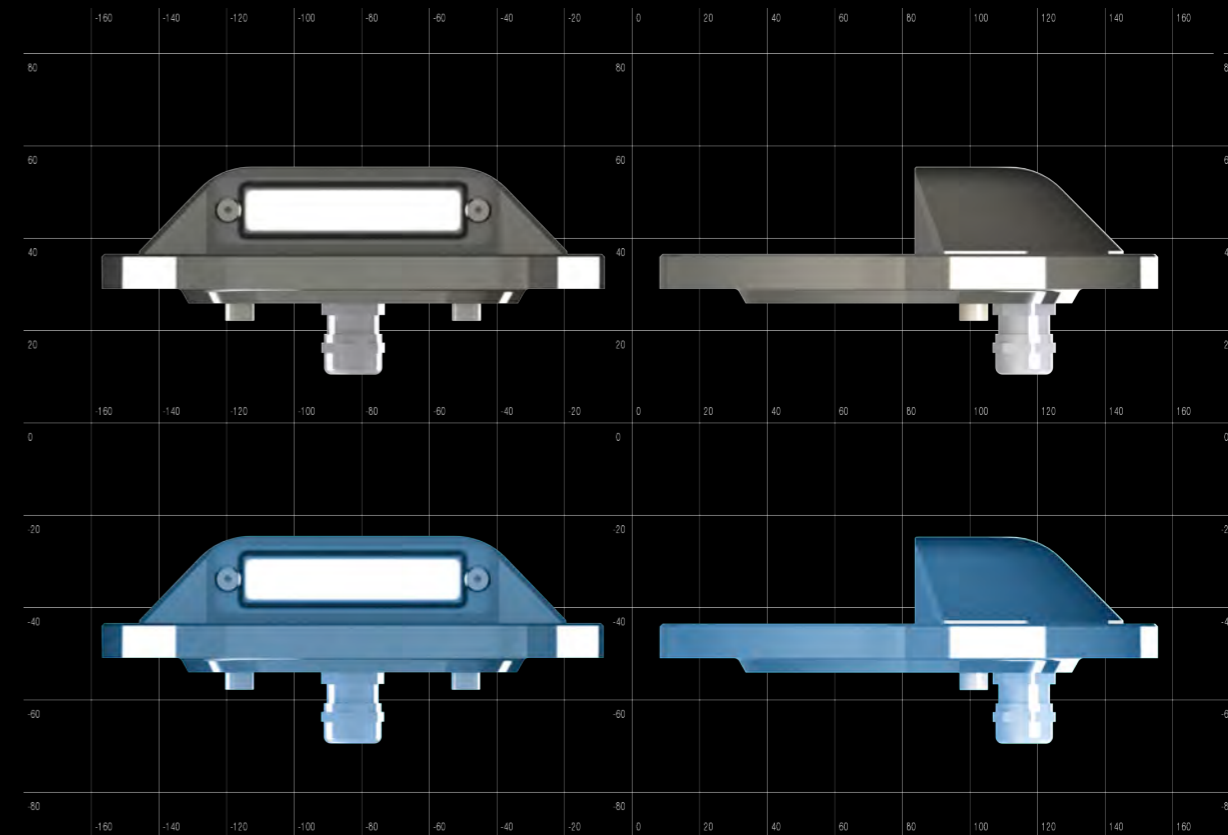
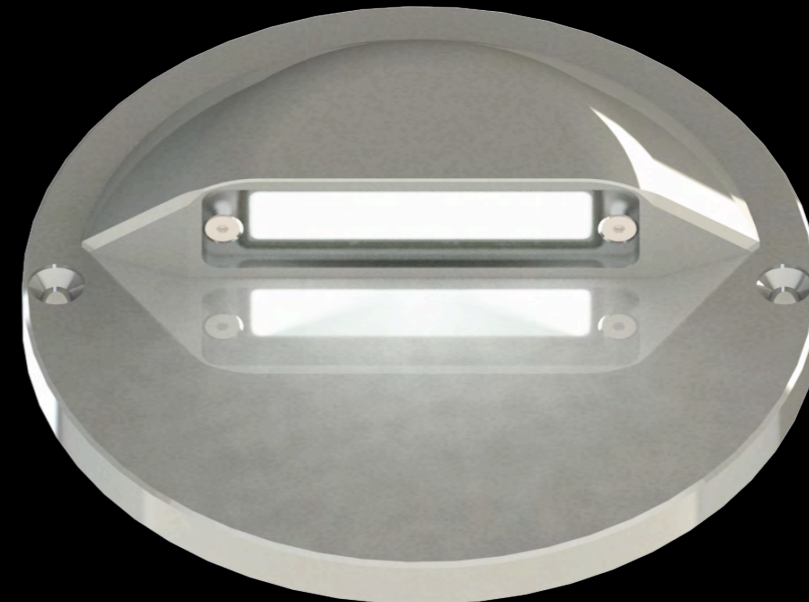
### TYPICAL APPLICATIONS:

Mainly this kind of luminaires are used as illumination of road walkways, pavements or park areas. Very often this way of light distribution is taking place at historical building entrance and internal road illumination. invisible plant illumination at park areas is also one of the more or less not indestructible light fixture.

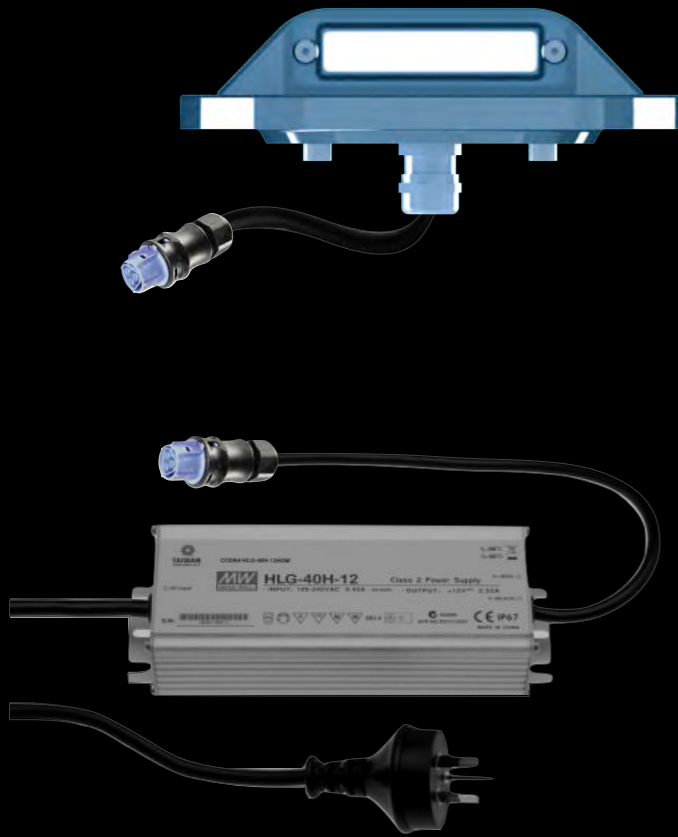
### UNIQUE FEATURES:

- ✓ ultra high over drive load
- ✓ high performance
- ✓ full metal unibody design
- ✓ full colour
- ✓ high efficient

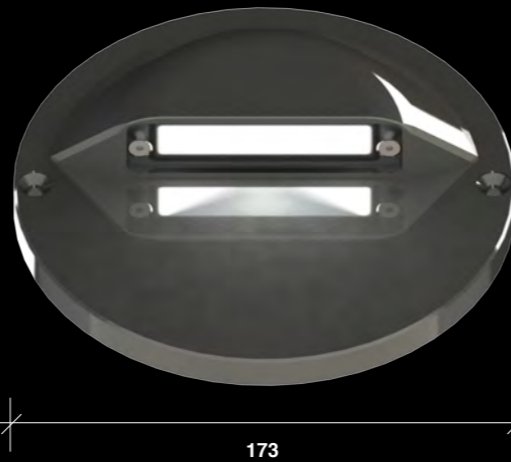
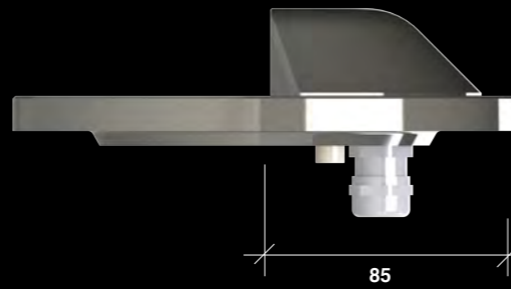
*„the most durable light source“*



External power supply at IP 65 box:



Dimensions:

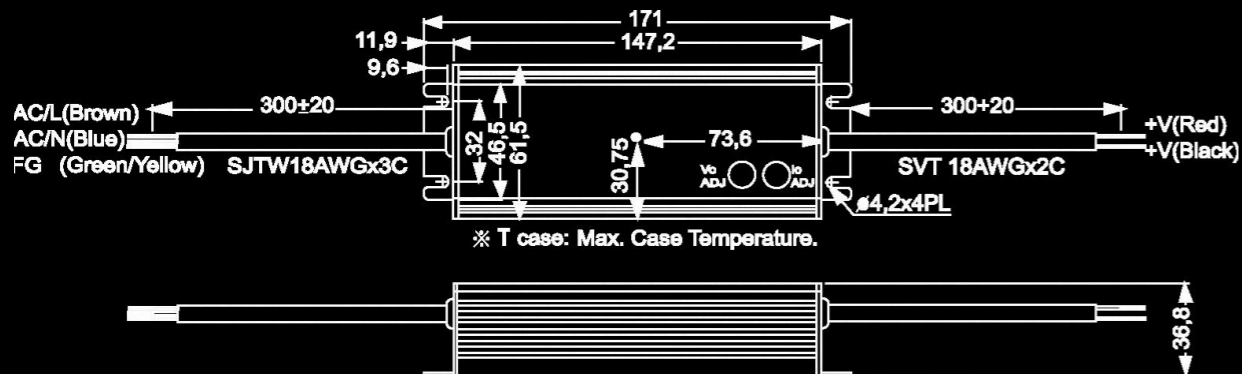


40.000 kg drive over load

COB configuration:



Power supply information (external):



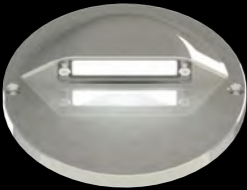



Type:	RABF
System power (WW/NW/CW):	up to 15W
System power (RGBW):	single colour max. 12W total colour mix max. 14W
Operating voltage:	90-308VAC
Operating frequency:	47 - 63 Hz
Harmonic distortion:	THD < 20%
Operating temperature:	- 25 up to + 60°C
Operating humidity:	10% < ϕ < 90%
Beam angle:	120° x 30°
Colour temperature (CCT):	CW / NW / WW / RGBW / R/ G/ B/ A
Special colours (Dual colour COB):	WW, or NW, or CW with RGB , A
Colour rendering (CRI):	> CRI 80
Efficacy (WW/NW/CW)	82 Lm/ W
Efficacy (RGBW)	R=89/G=104/B=54/W=112 Lm/W
Wavelength (RGB):	R=610 / G=520 / B=470 nm
Appearance:	AL anodised, RAL coated, V4A
Protection degree / class:	up to IP65 / I or II
Life span:	more than 80.000 hours
Control system:	DMX / DALI / 1-10V / custom
Power supply type:	HLG40
Weight:	3,7 kg



# RALED PAVEMENT® RABF-160

Sample order code:

## RABF-160-12030-WW-2700K-15W-IP65-DS

Model Code:	Beam Angle	COB	CCT	RABF (AL)	RABF (V4A)	Protection Degree	Options			
<b>RABF-160</b>	120 x 30°	WW	1800K	15W	15W	IP 65	Diffuser Satin (-DS)			
		WW	2700K				14W/12W in single colour	14W/12W in single colour	IP 65	
		WW	3000K							
		NW	3500K							
		NW	4000K							
		CW	5000K							
		CW	6000K							
		RGB/WW	3000K							15W
		RGB/ NW	4000K							
R			15W	15W	15W		15W			
G										
B										
WW/ CW		2500K/7000K								
G/ WW		2700K								
A/ WW		2700K								
A/ NW		4000K								
A/ UV										
R/ CW	6500K									

WW 1800K	WW 2700K	WW 3000K	NW 3500K	NW 4000K	CW 5000K	CW 6000K	RGBWW 3000K	RGBNW 4000K
RED	GREEN	BLUE	WW/CW 2500/7000K	GREEN WW 2700K	AMBER WW 2700K	AMBER NW 4000K	AMBER UV	RED CW 6500K

Standard RAL colours at AL or V4A body:

- RAL9016 (White)/ RAL9004 (Black)
- RAL7016 (Anthracite)
- ELO E6EV1 (Silver)
- special coatings on request