

**RALEDSPOT<sup>®</sup> RASB-65**



Mini Spot Light

# RALEDSPOT® RASB-65

## RALEDSPOT® HIGH PERFORMANCE FULL COLOUR SPOT LIGHTS

The unique design applied at smaller diameters like the **RALEDSPOT® 65** looks even more sophisticated. Even at this sizes we are able to integrate most of our special features, like changeable beam angles, special COB configurations and high end reflector technology.

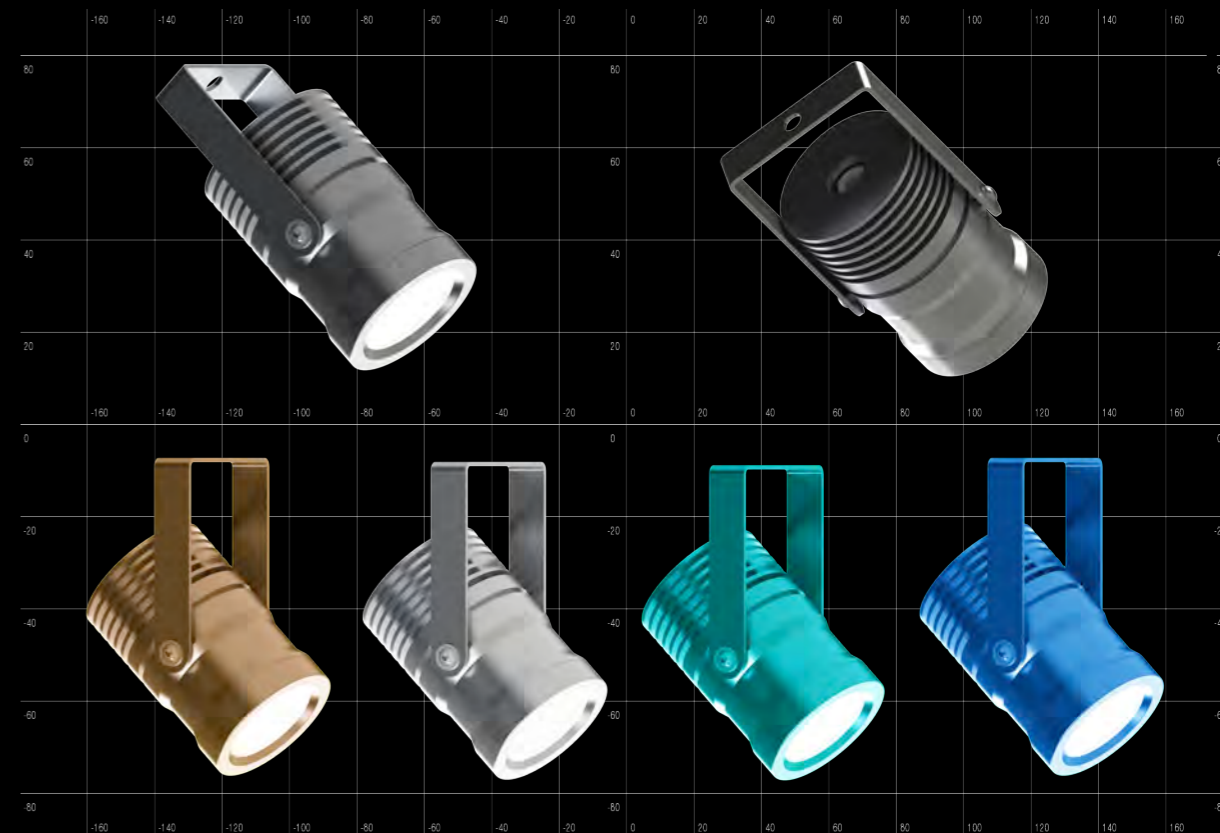
### TYPICAL APPLICATIONS:

This series is mostly used at shops with high number of light fixtures at small areas. It is also a very nice solution for shopping display illumination at full colour and small light beams directly to the product.

### UNIQUE FEATURES:

- ✓ unibody metal housing
- ✓ stainless steel housing for under water
- ✓ changeable beam angles
- ✓ full colour
- ✓ high efficient

*„the medium spot light“*



Cable connection with 2,0 m length:



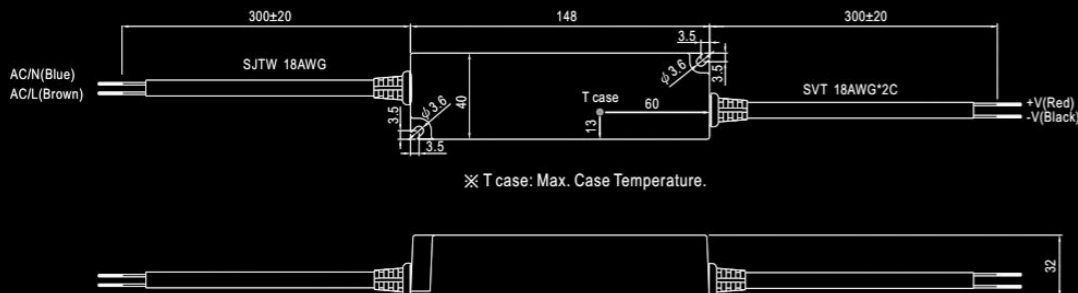
Plug connection:



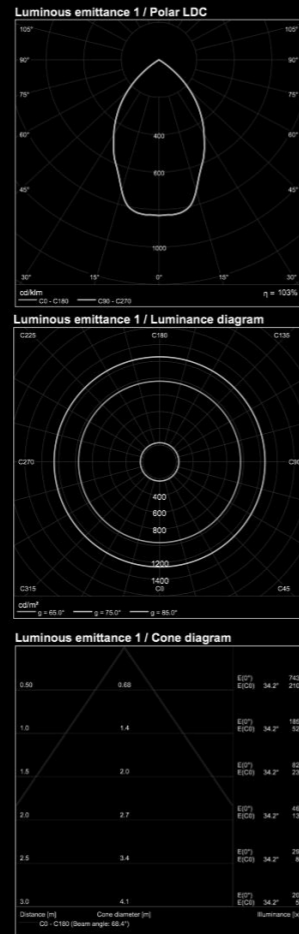
COB configuration:



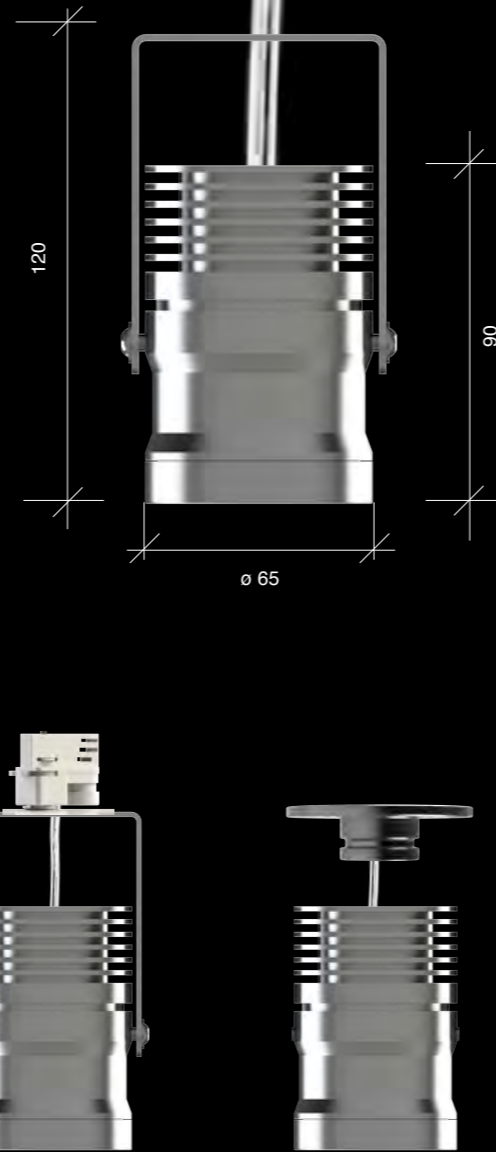
Power supply information:



Luminous emittance:



Dimensions:



With Rail Adapter






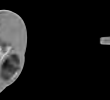

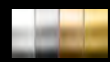
Direct Ceiling Mount

Type:	RASB-65
Head diameter:	65 mm
System power (WW/NW/CW):	adjustable up to 15W
System power (RGBW):	single colour max. 10W total colour mix max. 15W
Operating voltage:	90-308VAC or 130-430 VDC
Operating frequency:	47 - 63 Hz
Harmonic distortion:	THD < 20%
Operating temperature:	< 60°C
Operating humidity:	10% < φ < 90%
Beam angle:	15 / 25 / 40 and 60°
Colour temperature (CCT):	CW / NW / WW / RGBW / R / G / B / A
Special colours (Dual colour COB):	WW, or NW, or CW with RGB , A
Colour rendering (CRI):	>80, up to CRI 98 on request
Efficacy (WW/NW/CW)	112 Lm/W
Efficacy (RGBW)	R=89/G=104/B=54/W=112 Lm/W
Wave length (RGB):	R=610 / G=520 / B=470 nm
Appearance:	AL anodised, RAL coated, V4A
Protection degree / class:	IP65 / I / II or III (with ext. power supply)
Life span:	more than 80.000 hours
Control system:	DMX / DALI / 1-10V / custom
Power supply type:	LPF 25
Weight:	0,56 kg

# RALEDSPOT® RASB-65

Sample order code:

RASB-65-WW-3000K-15-IP65-15W-AL-RAL9022-DS+PC+RA

Model Code:	Beam Angle	COB	CCT	65 (AL body)	65 (V4A body)	Protection Degree	Options
	15/25/40/60°	WW	1800K	15W	15W	AL body -IP65 V4A body- IP65/68	Diffuser Satin (-DS)
		WW	2700K				
		WW	3000K				Plug connection (+PC)
		NW	3500K				
		NW	4000K				Rail Adapter (+RA)
		CW	5000K				
		CW	6000K				Direct Ceiling Mounting (+CM)
	15/25/40/60°	RGB/WW	3000K	15W / 10W in single colour	15W / 10W in single colour	AL body -IP65 V4A body- IP65/68	
		RGB/ NW	4000K	15W	15W		Special RAL Coating (RALxxxx)
		R					
		G					Special Eloxal Coating (ELOxxxx)
		B					
		WW/ CW	2500K/7000K	15W	15W		
		G/ WW	2700K				
		A/ WW	2700K				
		A/ NW	4000K				
		A/ UV					
R/ NW	6500K						

WW 1800K	WW 2700K	WW 3000K	NW 3500K	NW 4000K	CW 5000K	CW 6000K	RGBWW 3000K	RGBNW 4000K
RED	GREEN	BLUE	WW/CW 2500/7000K	AMBER	AMBER WW 2700K	AMBER WW 3000K	AMBER NW 4000K	AMBER RED

Standard RAL and ELOX colours:

- RAL9016 (White)/ RAL9004 (Black)
- RAL7016 (Anthracite)
- ELO E6EV1 (Silver)
- special coatings on request

# RALEDSPOT® RASB-80



Medium Spot Light

# RALEDSPOT® RASB-80

## RALEDSPOT® HIGH PERFORMANCE FULL COLOUR SPOT LIGHTS

The **RALEDSPOT®** 80 offers a very nice design solution for general shop lighting and also mainly used for automotive show rooms, where design fixtures are required. The high flexibility of the system fits to almost every application, even with stainless steel versions for under water illumination.

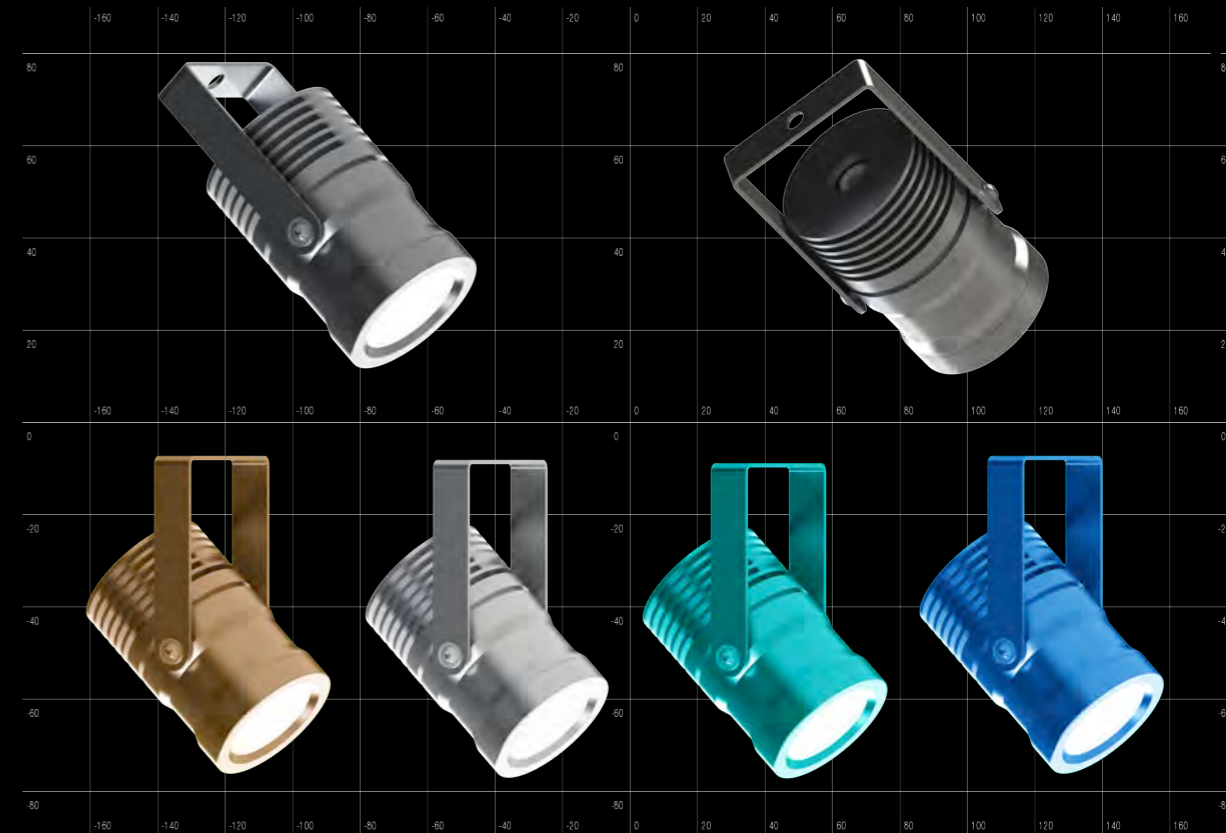
### TYPICAL APPLICATIONS:

General shop and showroom applications are the strength of this series. Outdoor and under water applications are easy to realise with the compact spot with different mounting solutions. With special designed direct ceiling mounting plates the spot can be integrated into the architectural designs very easy.

### UNIQUE FEATURES:

- ✓ unibody metal housing
- ✓ stainless steel housing for under water
- ✓ changeable beam angles
- ✓ full colour
- ✓ high efficient

*„the medium spot light“*





# RALEDSPOT® RASB-80

Sample order code:

RASB-80-WW-3000K-15-IP65-15W-AL-RAL9022-DS+PC+RA

Model Code:	Beam Angle	COB	CCT	80 (AL body)	80 (V4A body)	Protection Degree	Options		
	15/25/40/60°	WW	1800K	20W	20W	AL body -IP65 V4A body- IP65/68	Diffuser Satin (-DS)		
		WW	2700K						
		WW	3000K				Plug connection (+PC)		
		NW	3500K						
		NW	4000K				Rail Adapter (+RA)		
		CW	5000K						
		CW	6000K				Direct Ceiling Mounting (+CM)		
	15/25/40/60°	RGB/WW	3000K	20W/18W in single colour	20W/18W in single colour	AL body -IP65 V4A body- IP65/68			
		RGB/ NW	4000K	20W	20W		Special RAL Coating (RALxxxx)		
		R	2500K/7000K				20W	20W	
		G							
		B	20W	20W	Special Eloxal Coating (ELOxxxx)				
		WW/ CW			2700K		2700K		
		G/ WW							
		A/ WW							
		A/ NW						4000K	
		A/ UV	6500K	6500K					
R/ NW									

WW 1800K	WW 2700K	WW 3000K	NW 3500K	NW 4000K	CW 5000K	CW 6000K	RGBWW 3000K	RGBNW 4000K
RED	GREEN	BLUE	WW/CW 2500/7000K	AMBER	AMBER WW 2700K	AMBER WW 3000K	AMBER NW 4000K	AMBER RED

Standard RAL and ELOX colours:

- RAL9016 (White)/ RAL9004 (Black)
- RAL7016 (Anthracite)
- ELO E6EV1 (Silver)
- special coatings on request



# RALEDSPOT® RASB-120



Large Spot Light

# RALEDSPOT® RASB-120

## RALEDSPOT® HIGH PERFORMANCE FULL COLOUR SPOT LIGHTS

Unique design meets high performance, full colour and a never seen durability. With a range starting from micro versions with  $\varnothing 39$  mm, medium with  $\varnothing 60$  and  $\varnothing 80$ mm up to high power version with  $\varnothing 120$  mm the **RALEDSPOT®** series fits to all applications, even with IP68 versions with stainless steel housing for under water operation. Changeable beam angles and system power up to 45W, even at full colour are setting new benchmarks in the market. The full range in terms of size, power rating, direct mounted or rail systems fits to every application perfectly with outstanding energy savings.

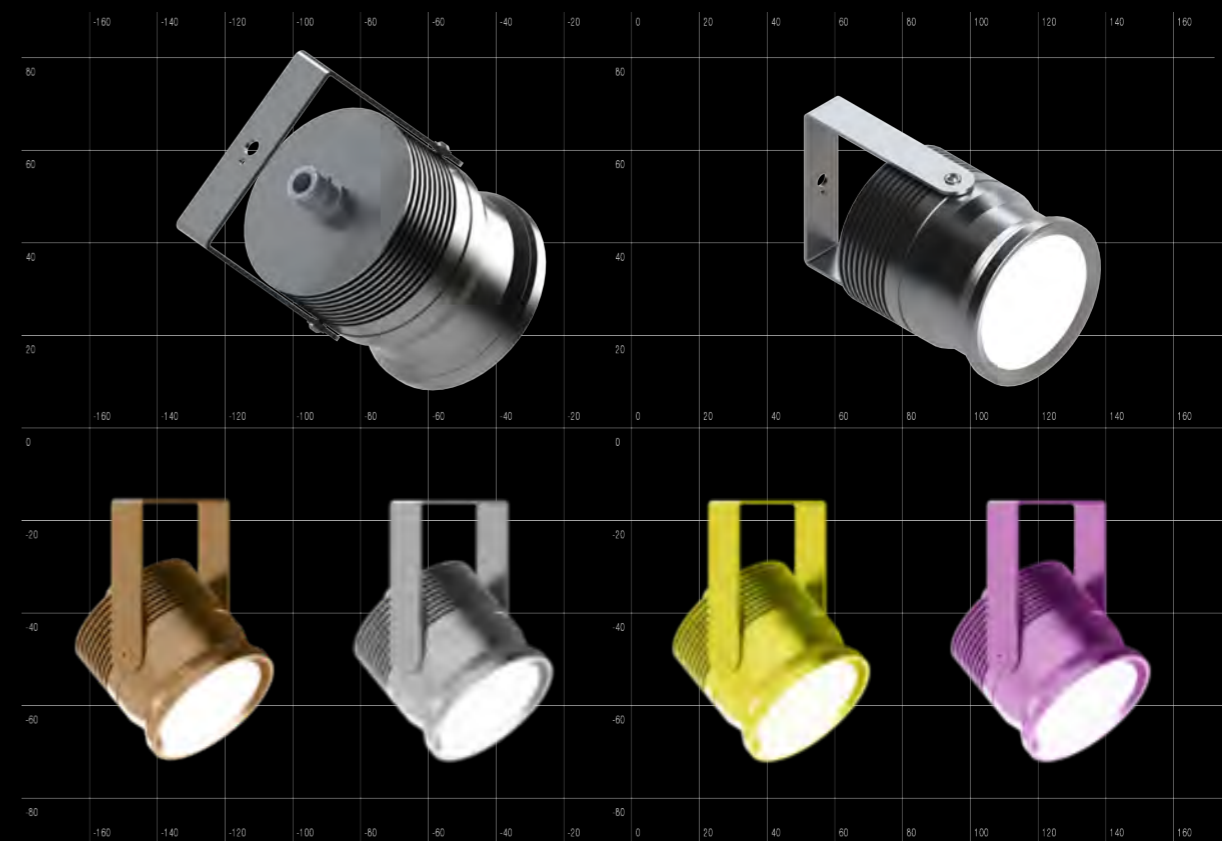
### TYPICAL APPLICATIONS:

Starting from unique shop illumination, as direct or rail mounted versions up to IP68 under water fountain applications, the **RALEDSPOT®** luminaries are the perfect solution for every application. Full colour, single and double colour, high CRI up to 98 and special plant growing configurations are available in every size and power rating.

### UNIQUE FEATURES:

- ✓ unibody metal housing
- ✓ stainless steel housing for under water
- ✓ changeable beam angles
- ✓ full colour
- ✓ high efficient

*„the design spot light“*



Cable connection  
with 2,0 m length:

With Rail Adapter

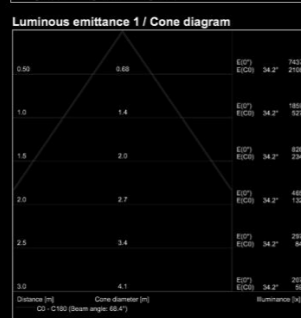
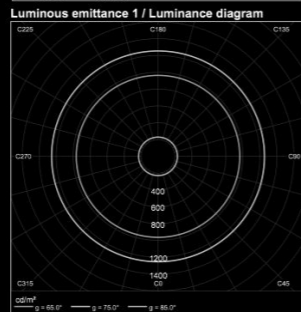
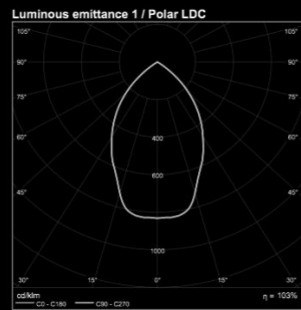
Luminous emittance:

Dimensions:

<b>Type:</b>	<b>RASB-120</b>
Head diameter:	120 mm
<b>System power (WW/NW/CW):</b>	<b>adjustable up to 45W</b>
System power (RGBW):	single colour max. 42W total colour mix max. 45W
Operating voltage:	90-308VAC or 130-430 VDC
Operating frequency:	47 - 63 Hz
Harmonic distortion:	THD < 20%
Operating temperature:	< 60°C
Operating humidity:	10% < φ < 90%
Beam angle:	15 / 25 / 40 / 60 and 100°
Colour temperature (CCT):	CW / NW / WW / RGBW / R / G / B / A
Special colours (Dual colour COB):	WW, or NW, or CW with RGB ,A
Colour rendering (CRI):	>80, up to CRI 98 on request
<b>Efficacy (WW/NW/CW)</b>	<b>144 Lm/W</b>
Efficacy (RGBW)	R=89/G=104/B=54/W=112 Lm/W
Wavelength (RGB):	R=610 / G=520 / B=470 nm
Appearance:	AL anodised, RAL coated, V4A
Protection degree / class:	IP65 / I / II or III (with ext. power supply)
Life span:	more than 80.000 hours
Control system:	DMX / DALI / 1-10V / custom
Power supply type:	HLG 60
Weight:	2,2 - 2,6 kg

Plug connection:

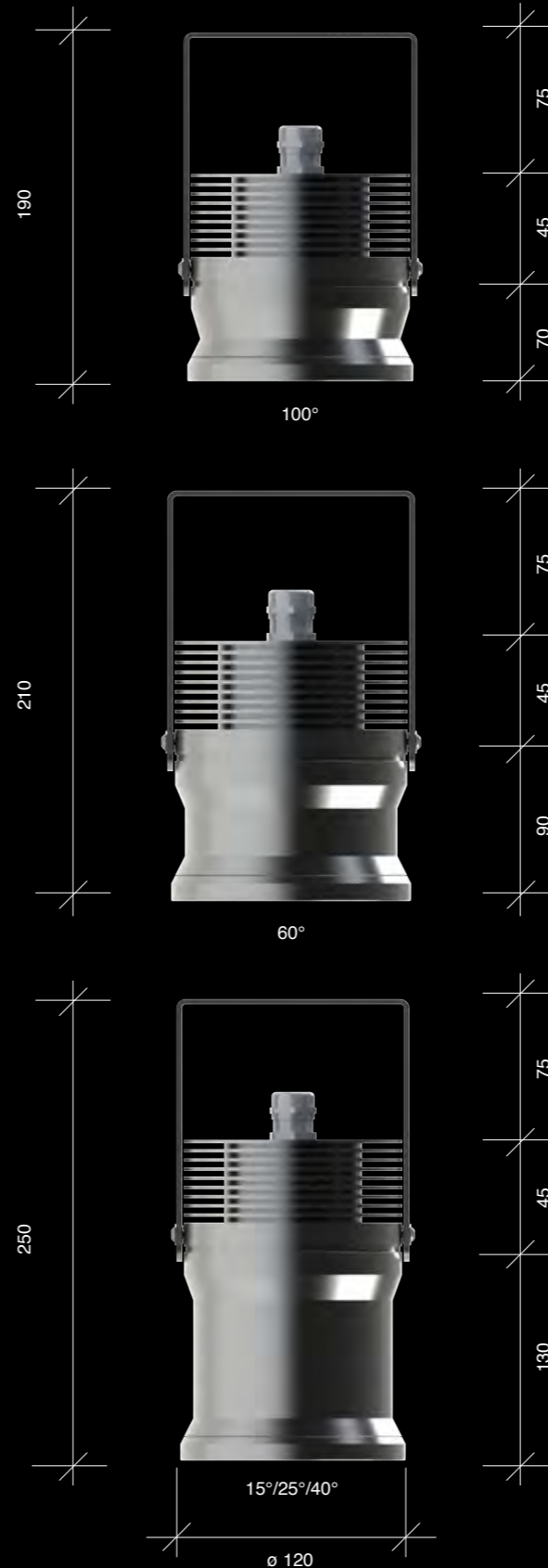
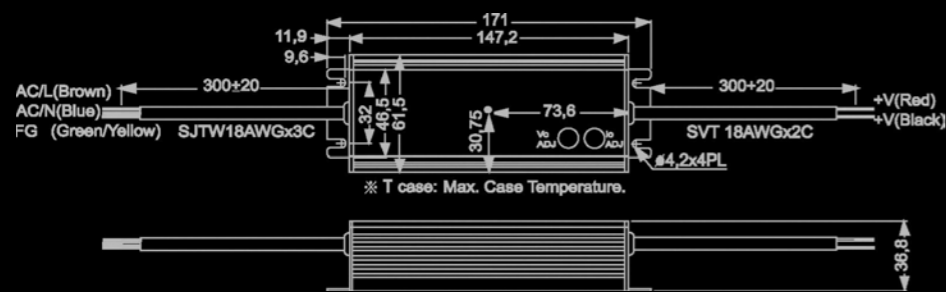
Direct Ceiling Mount



COB configuration:



Power supply information:



# RALEDSPOT® RASB-120

Sample order code:

RASB-120-WW-3000K-60-IP65-45W-AL-RAL9022-DS+PC+RA

Model Code:	Beam Angle	COB	CCT	120 (AL body)	120 (V4A body)	Protection Degree	Options
	15/25/40° 	WW	1800K	45W	45W	AL body -IP65 V4A body- IP65/68	Diffuser Satin (-DS)
		WW	2700K				
		WW	3000K				Plug connection (+PC)
		NW	3500K				
		NW	4000K				Rail Adapter (+RA)
		CW	5000K				
		CW	6000K				Direct Ceiling Mounting (+CM)
	60° 	RGB/WW	3000K	45W/42W in single colour	45W/42W in single colour		
		RGB/ NW	4000K	45W	45W		Special RAL Coating (RALxxxx)
		R					
	G		Special Eloxal Coating (ELOxxxx)				
	B						
	100° 	WW/ CW		2500K/7000K	45W	45W	
		G/ WW		2700K			
		A/ WW	2700K				
		A/ NW	4000K				
	A/ UV						
R/ NW	6500K						

WW 1800K	WW 2700K	WW 3000K	NW 3500K	NW 4000K	CW 5000K	CW 6000K	RGBWW 3000K	RGBNW 4000K
RED	GREEN	BLUE	WW/CW 2500/7000K	AMBER	AMBER WW 2700K	AMBER WW 3000K	AMBER NW 4000K	AMBER RED

Standard RAL and ELOX colours:

- RAL9016 (White)/ RAL9004 (Black)
- RAL7016 (Anthracite)
- ELO E6EV1 (Silver)
- special coatings on request