

# RALEDRAIL® RATS0-120



Design Rail Spot Light

# RALEDRAIL® RATS0-120

## RALEDRAIL® HIGH PERFORMANCE FULL COLOUR RAIL SYSTEM LIGHTS

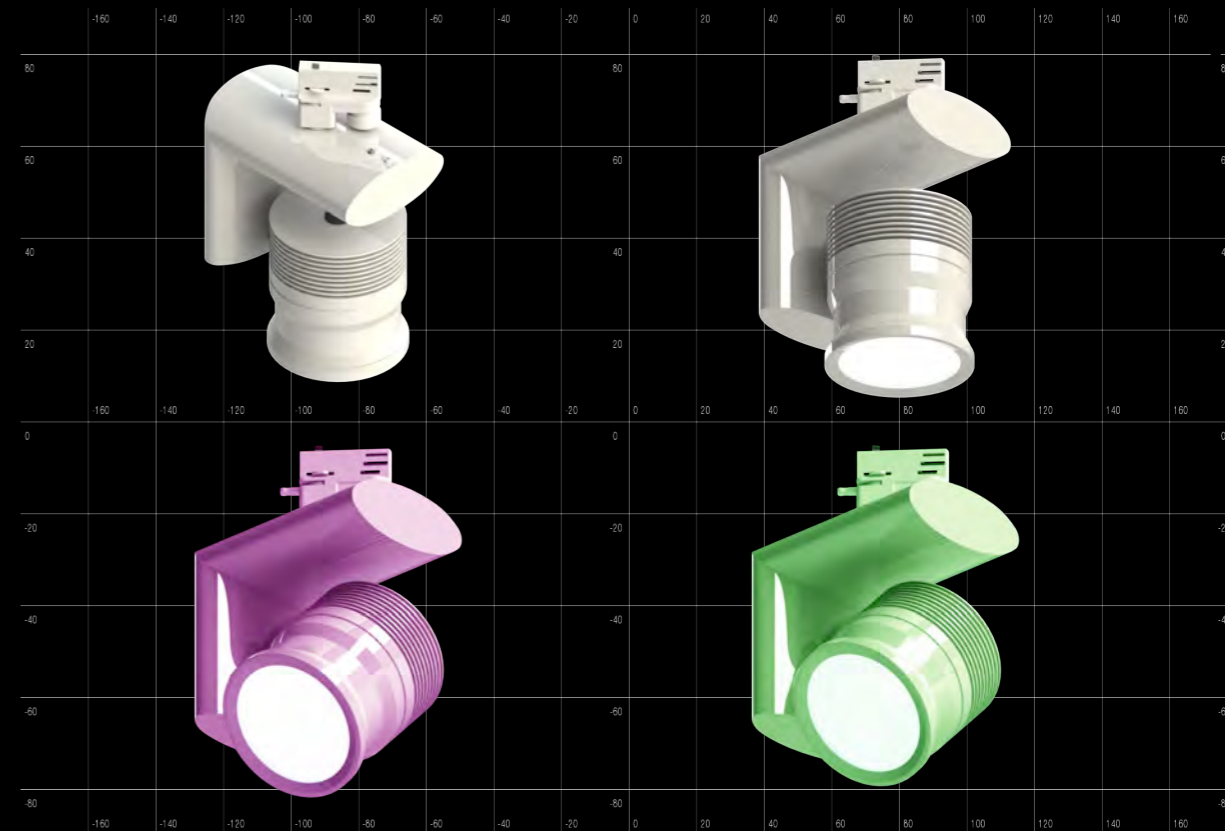
For high end design illumination with a maximum on flexibility we developed the **RALEDRAIL®** Spot with oval pipe holder. This version includes all our unique features in combination with a very nice clean industrial design. 360° rotation and 180° tilt angle with changeable beam angles are the base for every possible application. Various COB configurations are available in order to provide always the best solution for the customers requirements.

### TYPICAL APPLICATIONS:

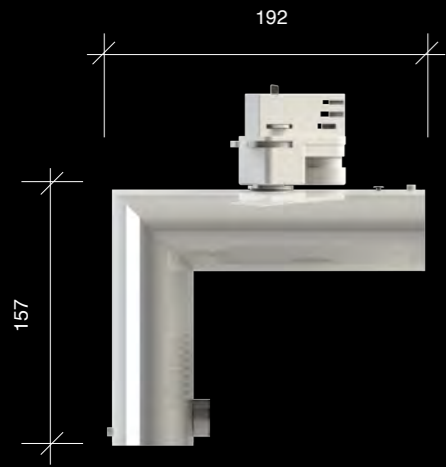
Starting from unique shop illumination as rail mounted versions, the **RALEDRAIL®** luminaries are the perfect solution for various applications. Full colour, single and dual colour, high CRI up to CRI 98 and special plant growing configurations are available in every size and power rating.

### UNIQUE FEATURES:

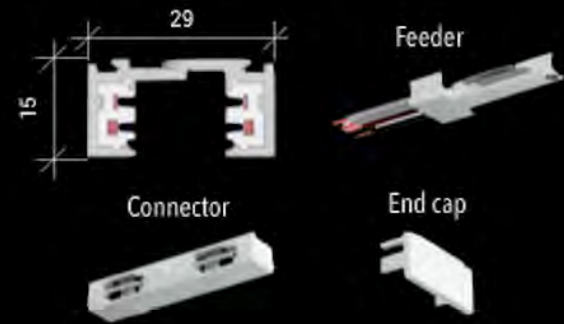
- ✓ unibody metal housing
- ✓ 360° rotation / 180° tilt angle
- ✓ changeable beam angles
- ✓ full colour
- ✓ high efficient



3 Phase rail connection:



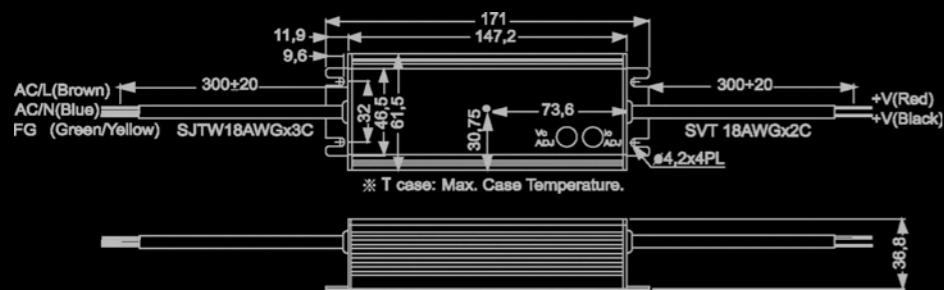
Rail System LED track with Bus system



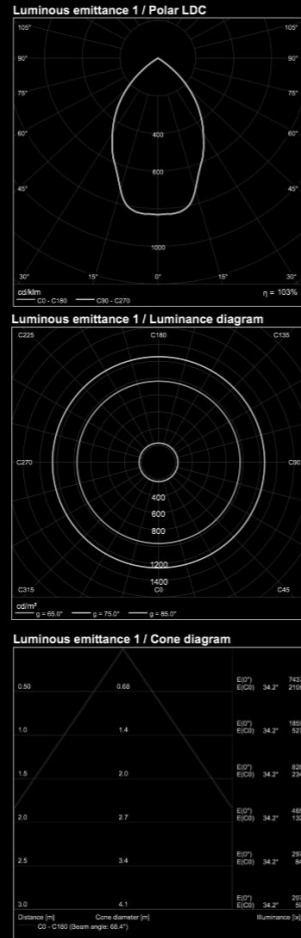
COB configuration:



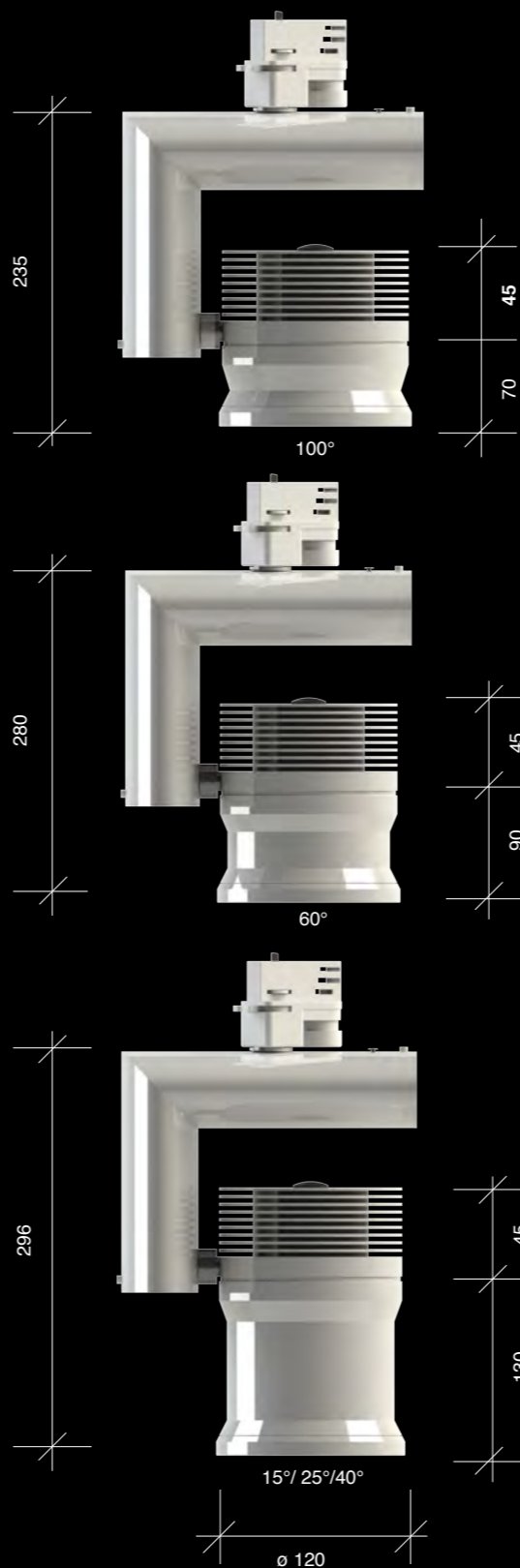
Power supply information:



Luminous emittance:



Dimensions:



Type:	<b>RATS0-120</b>
Head diameter:	120 mm
System power (WW/NW/CW):	<b>adjustable up to 45W</b>
System power (RGBW):	single colour max. 42W total colour mix max. 45W
Operating voltage:	90-308VAC or 130-430 VDC
Operating frequency:	47 - 63 Hz
Harmonic distortion:	THD < 20%
Operating temperature:	< 60°C
Operating humidity:	10% < ϕ < 90%
Beam angle:	15 / 25 / 40 / 60 and 100°
Colour temperature (CCT):	CW / NW / WW / RGBW / R / G / B / A
Special colours (Dual colour COB):	WW, or NW, or CW with RGB , A
Colour rendering (CRI):	>80, up to CRI 98 on request
Efficacy (WW/NW/CW)	<b>144 Lm/ W</b>
Efficacy (RGBW)	R=89/G=104/B=54/W=112 Lm/W
Wavelength (RGB):	R=610 / G=520 / B=470 nm
Appearance:	AL anodised, RAL coated
Protection degree / class:	IP20 / I / II or III (with ext. power supply)
Life span:	more than 80.000 hours
Control system:	DMX / DALI / 1-10V / custom
Power supply type:	HLG 60
Weight:	3,6 - 3,9 kg



# RALEDRAIL® RATSO-120

Sample order code:

RATSO-120-WW-3000K-60-IP20-45W-AL-RAL9022-DS+PC+RA

Model Code:	Beam Angle	COB	CCT	120 ( AL body)	Protection Degree	Options		
RATSO-120	15/25/40° 	WW	1800K	45W	IP 20	Diffuser Satin (-DS)		
		WW	2700K			45W	IP 20	
		WW	3000K					
		NW	3500K					
		NW	4000K					
		CW	5000K					
		CW	6000K					
		60° 	RGB/WW	3000K				
RGB/ NW			4000K					
100° 		R		45W				
		G						
		B						
		WW/ CW	2500K/7000K	45W		Special Eloxal Coating (ELOxxxx) 		
		G/ WW	2700K					
		A/ WW	2700K					
		A/ NW	4000K					
		A/ UV						
R/ NW	6500K							

WW 1800K	WW 2700K	WW 3000K	NW 3500K	NW 4000K	CW 5000K	CW 6000K	RGBWW 3000K	RGBNW 4000K
RED	GREEN	BLUE	WW/CW 2500/7000K	AMBER	AMBER WW 2700K	AMBER WW 3000K	AMBER NW 4000K	AMBER RED

Standard RAL and ELOX colours:

- RAL9016 (White)/ RAL9004 (Black)
- RAL7016 (Anthracite)
- ELO E6EV1 (Silver)
- special coatings on request