

RALEDCLUSTER[®] RLLC-50_-PC

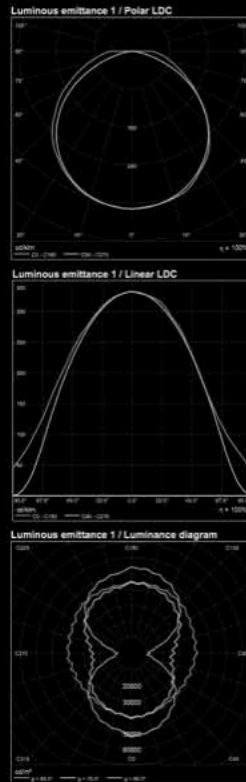


PC Cluster High Bay Luminaires

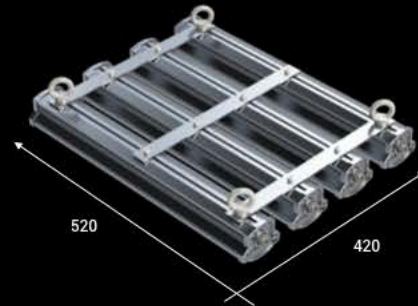
Internal power supply:



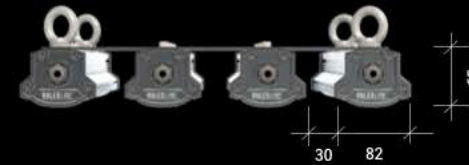
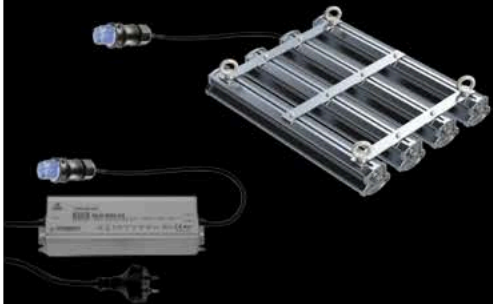
Luminous emittance:



Dimensions:



External power supply:

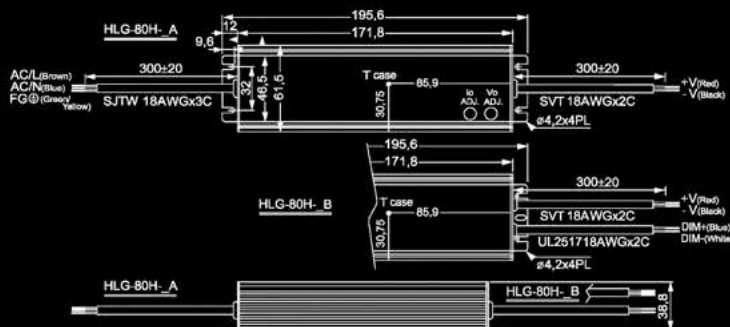


LED board configuration:



dazdle free strip polycarbonate diffuser

Power supply information (external):



Type:	RLLC-50_PC
Number of heads:	2/ 3/ 4/ 5
System power (WW/NW/CW):	up to 150W
System power (RGBW):	single colour max. 30W/ head total colour mix max. 24W/ head
Operating voltage:	90-308VAC or 130-430 VDC
Operating frequency:	47 - 63 Hz
Harmonic distortion:	THD < 20%
Operating temperature:	< 60°C
Operating humidity:	10% < φ < 90%
Beam angle:	30° / 120°
Colour temperature (CCT):	CW / NW / WW / RGBW
Special colours (Dual colour COB):	NW with RGB , WW+CW
Colour rendering (CRI):	>80, up to CRI 98 on request
Efficacy (WW/NW/CW)	154 Lm/ W
Efficacy (RGBW)	R=89/G=104/B=54/W=112 Lm/W
Wavelength (RGB):	R=610 / G=520 / B=470 nm
Appearance:	AL anodised/ black or RAL coated
Protection degree / class:	IP65 / I / II or III (with ext. power supply)
Life span:	more than 80.000 hours
Control system:	DMX / DALI / 1-10V / custom
Power supply type:	HLG60 / HLG80 / HLG120
Weight:	5,6 kg

RALEDCLUSTER[®] RLLC-50_PC

RALEDCLUSTER[®] MEDIUM POWER CLUSTER LIGHTS

Based on our high performance line lights the cluster version comes with the same high performance and durability only in a other arrangement. This cluster version is mainly used for one to one replacement of common high bay fixtures as alternative to our design high bay solutions. With the wide beam angel the uniformity is perfect, compared to other solutions on the market. With special light board configurations like full colour, dual colour and high performance boards new applications, like tunnel one to one replacement are possible.

TYPICAL APPLICATIONS:

The **RALEDCLUSTER[®]** luminaries are mainly used for one to one high bay replacements, tunnel lights and are a perfect solution for economic general light applications.

UNIQUE FEATURES:

- ✓ durable housing
- ✓ high performance
- ✓ wide beam angles
- ✓ full colour
- ✓ high efficient

„the economic high bay retrofit“



RALEDCLUSTER® RLLC-50_-PC

Sample order code:

RLLC-503-PC-WW-3000K-110W-RAL7016-DS+PC

Model Code:	COB	CCT	-501/30W	-502/60W	-503/90W	-504/120W	-505/150W	Options
RLLC-503-HD								Diffuser Satin (-DS)
	WW	3000K						 Plug connection (+PC)
	NW	4000K						 Line Plug (+LP)
	CW	5000K						
	RGB/WW	3000K						 Y-Hanger (+YH)
	RGB/NW	4000K						
	WW/ CW	2500K/7000K						

WW 

NW 

CW 

RGBW 

WW / CW tuneable white 

Standard RAL and ELOX colours:

- RAL9016 (White)/ RAL9004 (Black)
- RAL7016 (Anthracite)
- ELO E6EV1 (Silver)
- special coatings on request

Remarks:

- prices include power supply
- for colour version DMX decoder or DALI included
- EXW prices excluding tax
- special configurations upon request