

RALED*FLOOD*[®] RAHSB-120-3



3 Head Floodlight

RALED FLOOD® RAHSB-120-3

RALED FLOOD® HIGH POWER FLOODLIGHTS

The smallest version of our high performance flood light is mainly used to replace traditional 1000W or 1500W fixtures. The energy saving is remarkable and the illumination performance even better regarding uniformity and the dazzling is more less nothing compared to the traditional types. In addition our flood lights are offering much more flexibility like changeable beam angles and a wide range of COB configurations.

TYPICAL APPLICATIONS:

The **RALED FLOOD®** 120-3 mainly used as one to one replacement for traditional 1000W and 1500W fixtures with reduction on power consumption up to 80%.

UNIQUE FEATURES:

- ✓ multi head design
- ✓ high performance
- ✓ changeable beam angles
- ✓ full colour
- ✓ high efficient

„the future of flood light“



Cable connection with 2,0 m length:



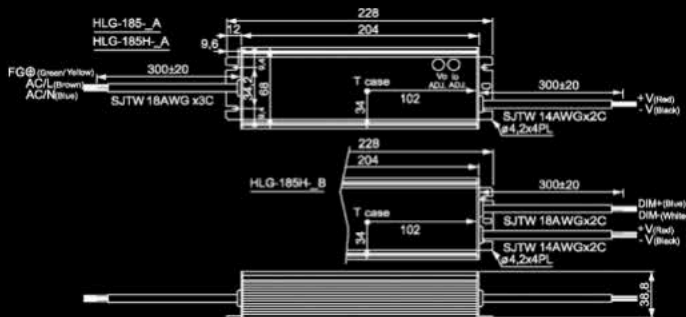
Plug connection:



COB configuration:



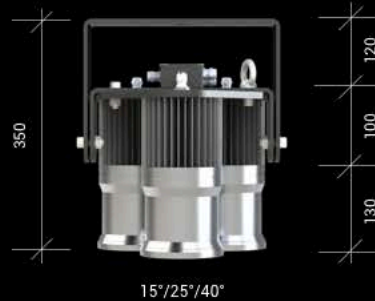
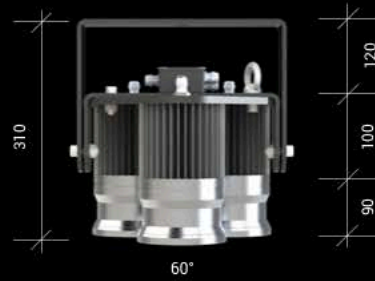
Power supply information:



Luminous emittance:



Dimensions:





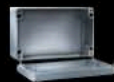


Type:	RAHSB 120-3
System power (WW/NW/CW):	up to 180W
System power (RGBW):	single colour max. 55W/ head total colour mix max. 60W/ head
Operating voltage:	90-308VAC or 130-430 VDC
Operating frequency:	47 - 63 Hz
Harmonic distortion:	THD < 20%
Operating temperature:	< 60°C
Operating humidity:	10% < φ < 90%
Beam angle:	15 / 25 / 40 / 60 and 100°
Colour temperature (CCT):	CW / NW / WW / RGBW / R/ G/ B/ A
Special colours (Dual colour COB):	WW, or NW, or CW with RGB , A
Colour rendering (CRI):	>80, up to CRI 98 on request
Efficacy (WW/NW/CW)	144 Lm/ W
Efficacy (RGBW)	R=89/G=104/B=54/W=112 Lm/W
Wavelength (RGB):	R=610 / G=520 / B=470 nm
Appearance:	AL anodised, Black, Silver or RAL paint
Protection degree / class:	IP65 / I / II or III (with ext. power supply)
Life span:	more than 80.000 hours
Control system:	DMX / DALI / 1-10V / custom
Power supply type:	HLG 185
Weight:	12,7 kg

RALED FLOOD® RAHSB-120-3

Sample order code:

RAHSB-120-3-60-WW-2700K-180W-RAL9022-DS+PC+DB

Model Code:	Beam Angle	COB	CCT	180W	240W (outdoor)	Protection Degree	Options	
	15/25/40° 	WW	1800K			IP 65	Diffuser Satin (-DS)	
		WW	2700K					Plug connection (+PC)
		WW	3000K					
		NW	3500K					
		NW	4000K					
		CW	5000K					
	CW	6000K						
	RGB/WW	3000K		Distribution box (+DB)				
	RGB/ NW	4000K						
	R							
	G							
	B							
WW/ CW	2500K/7000K							
G/ WW	2700K		Special RAL Coating (RALxxxx)					
A/ WW	2700K							
A/ NW	4000K							
A/ UV								
R/ NW	6500K							

*3 full colour heads!

WW 1800K	WW 2700K	WW 3000K	NW 3500K	NW 4000K	CW 5000K	CW 6000K	RGBWW 3000K	RGBNW 4000K
RED	GREEN	BLUE	WW/CW 2500/7000K	GREEN WW 2700K	AMBER WW 2700K	AMBER NW 4000K	AMBER UV	RED NW 6500K

Standard RAL and ELOX colours:

- RAL9016 (White)/ RAL9004 (Black)
- RAL7016 (Anthracite)
- ELO E6EV1 (Silver)
- special coatings on request

Remarks:

- prices include power supply
- for colour version DMX decoder or DALI included
- EXW prices excluding tax
- special configurations upon request

RALEDFLOOD® RAHSB-120-4



4 Head Floodlight

RALED FLOOD® RAHSB-120-4

RALED FLOOD® HIGH POWER FLOODLIGHTS

The **RALED FLOOD®** 120-4 fixtures are mainly used to replace traditional 2000W or 2500W traditional fixtures. The energy saving is remarkable and the illumination performance even better regarding uniformity and the dazzling. In addition the 4 head version is one of the best choices for small and medium size stadium applications. Due to the compact size and the light weight the LED conversion can be performed without changes at the existing building structural situation.

TYPICAL APPLICATIONS:

The **RALED FLOOD®** 120-4 mainly used as one to one replacement for traditional 2000W flood lights. Small and medium size stadium and even airport apron and taxiways are easy to realise at minimum power consumption.

UNIQUE FEATURES:

- ✓ multi head design
- ✓ high performance
- ✓ changeable beam angles
- ✓ full colour
- ✓ high efficient

„the future of flood light“



Cable connection with 2,0 m length:



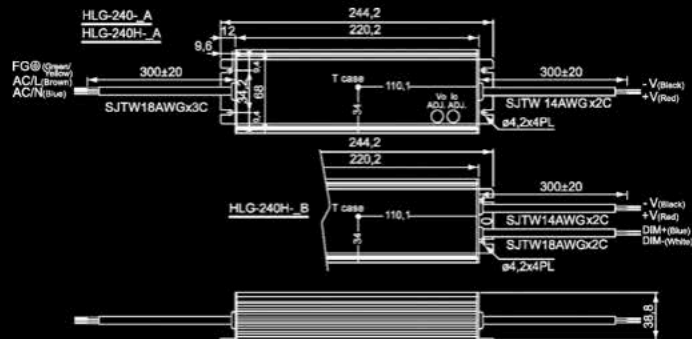
Plug connection:



COB configuration:



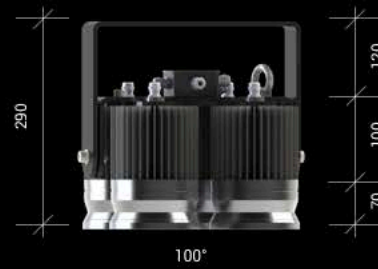
Power supply information:



Luminous emittance:



Dimensions:



Type:	RAHSB 120-4
System power (WW/NW/CW):	up to 240W
System power (RGBW):	single colour max. 55W/ head total colour mix max. 60W/ head
Operating voltage:	90-308VAC or 130-430 VDC
Operating frequency:	47 - 63 Hz
Harmonic distortion:	THD < 20%
Operating temperature:	< 60°C
Operating humidity:	10% < φ < 90%
Beam angle:	15 / 25 / 40 / 60 and 100°
Colour temperature (CCT):	CW / NW / WW / RGBW / R/ G/ B/ A
Special colours (Dual colour COB):	WW, or NW, or CW with RGB , A
Colour rendering (CRI):	>80, up to CRI 98 on request
Efficacy (WW/NW/CW)	144 Lm/ W
Efficacy (RGBW)	R=89/G=104/B=54/W=112 Lm/W
Wavelength (RGB):	R=610 / G=520 / B=470 nm
Appearance:	AL anodised, Black, Silver or RAL paint
Protection degree / class:	IP65 / I / II or III (with ext. power supply)
Life span:	more than 80.000 hours
Control system:	DMX / DALI / 1-10V / custom
Power supply type:	HLG 240
Weight:	15,2 kg

RALED FLOOD® RAHSB-120-4

Sample order code:

RAHSB-120-4-60-WW-2700K-240W-RAL9022-DS+PC+DB

Model Code:	Beam Angle	COB	CCT	240W	320W (outdoor)	Protection Degree	Options		
	15/25/40° 	WW	1800K			IP 65	Diffuser Satin (-DS)		
		WW	2700K						
		WW	3000K						
		NW	3500K						
		NW	4000K						
		CW	5000K						
	CW	6000K							
	RGB/WW	3000K							
	RGB/ NW	4000K							
	R								
	G								
	B								
WW/ CW	2500K/7000K								
G/ WW	2700K								
A/ WW	2700K								
A/ NW	4000K								
A/ UV									
R/ NW	6500K								
 <p>*4 full colour heads!</p>	60° 					IP 65			
	100° 							IP 65	

WW 1800K	WW 2700K	WW 3000K	NW 3500K	NW 4000K	CW 5000K	CW 6000K	RGBWW 3000K	RGBNW 4000K
RED	GREEN	BLUE	WW/CW 2500/7000K	GREEN WW 2700K	AMBER WW 2700K	AMBER NW 4000K	AMBER UV	RED NW 6500K

Standard RAL and ELOX colours:

- RAL9016 (White)/ RAL9004 (Black)
- RAL7016 (Anthracite)
- ELO E6EV1 (Silver)
- special coatings on request

Remarks:

- prices include power supply
- for colour version DMX decoder or DALI included
- EXW prices excluding tax
- special configurations upon request

RALED*FLOOD*[®] RAHSB-120-5



5 Head Floodlight

RALED FLOOD® RAHSB-120-5

RALED FLOOD® HIGH POWER FLOODLIGHTS

The **RALED FLOOD®** 120-5 offers the perfect solution for the replacement of traditional flood lights up to 4000W. All the additional features, like changeable beam angle and various COB configurations are offering new fields of applications at facade illuminations with full colour or single colour mixing.

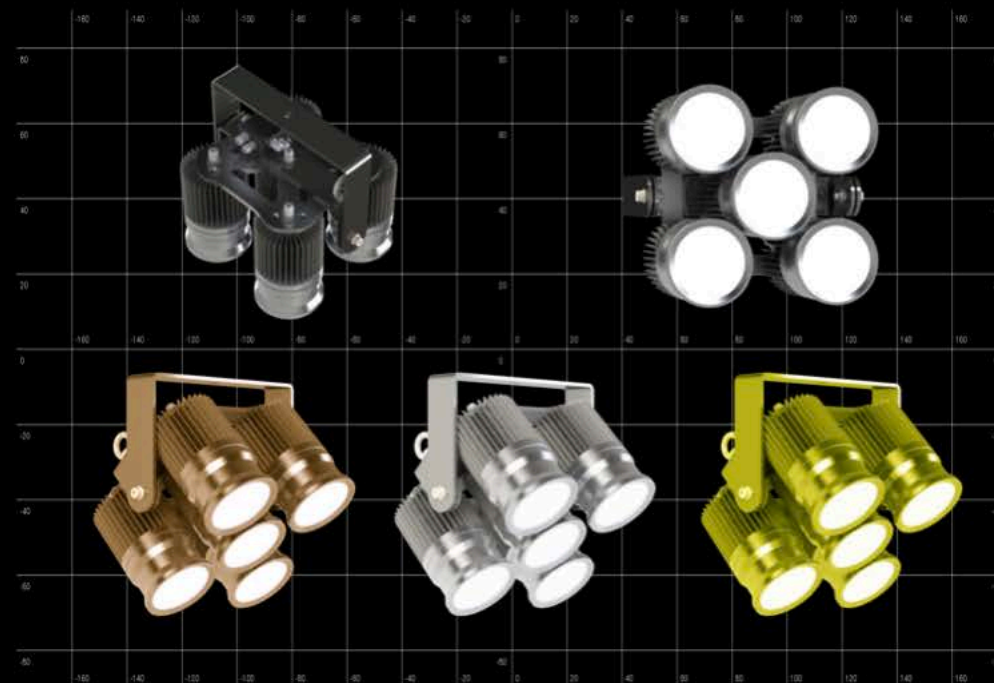
TYPICAL APPLICATIONS:

The **RALED FLOOD®** 120-5 mainly used as one to one replacement for traditional 4000W flood lights. Facade illumination with full colour mixing and high performance at white colour temperature are easy to realise.

UNIQUE FEATURES:

- ✓ multi head design
- ✓ high performance
- ✓ changeable beam angles
- ✓ full colour
- ✓ high efficient

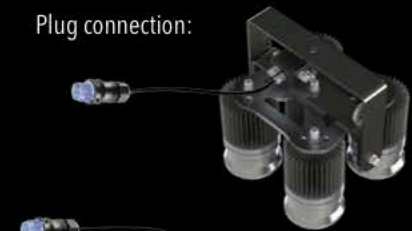
„the future of flood light“



Cable connection with 2,0 m length:



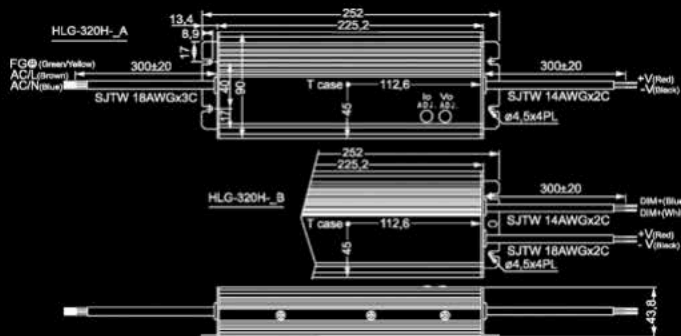
Plug connection:



COB configuration:



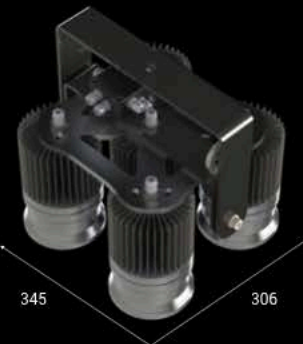
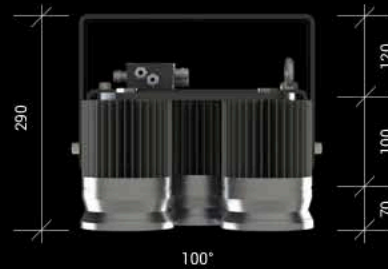
Power supply information:



Luminous emittance:



Dimensions:






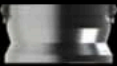

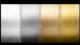


Type:	RAHSB 120-5
System power (WW/NW/CW):	up to 300W
System power (RGBW):	single colour max. 55W/ head total colour mix max. 60W/ head
Operating voltage:	90-308VAC or 130-430 VDC
Operating frequency:	47 - 63 Hz
Harmonic distortion:	THD < 20%
Operating temperature:	< 60°C
Operating humidity:	10% < φ < 90%
Beam angle:	15 / 25 / 40 / 60 and 100°
Colour temperature (CCT):	CW / NW / WW / RGBW / R/ G/ B/ A
Special colours (Dual colour COB):	WW, or NW, or CW with RGB , A
Colour rendering (CRI):	>80, up to CRI 98 on request
Efficacy (WW/NW/CW)	144 Lm/ W
Efficacy (RGBW)	R=89/G=104/B=54/W=112 Lm/W
Wavelength (RGB):	R=610 / G=520 / B=470 nm
Appearance:	AL anodised, Black, Silver or RAL paint
Protection degree / class:	IP65 / I / II or III (with ext. power supply)
Life span:	more than 80.000 hours
Control system:	DMX / DALI / 1-10V / custom
Power supply type:	HLG 320
Weight:	17,7 kg

RALED FLOOD® RAHSB-120-5

Sample order code:

RAHSB-120-5-60-WW-2700K-300W-RAL9022-DS+PC+DB

Model Code:	Beam Angle	COB	CCT	300W	400W (outdoor)	Protection Degree	Options	
	15/25/40° 	WW	1800K			IP 65	Diffuser Satin (-DS)	
		WW	2700K					
		WW	3000K					Plug connection (+PC) 
		NW	3500K					
		NW	4000K					
		CW	5000K					
	CW	6000K						
	60° 	RGB/WW	3000K				Distribution box (+DB) 	
		RGB/ NW	4000K					
		R						
		G						
		B						
100° 	WW/ CW	2500K/7000K			Special RAL Coating (RALxxxx) 			
	G/ WW	2700K						
	A/ WW	2700K						
	A/ NW	4000K						
	A/ UV							
	R/ NW	6500K						
*1 single full colour head and 4 WW or NW heads!							Special Eloxal Coating (ELOxxxx) 	

WW 1800K	WW 2700K	WW 3000K	NW 3500K	NW 4000K	CW 5000K	CW 6000K	RGBWW 3000K	RGBNW 4000K
RED	GREEN	BLUE	WW/CW 2500/7000K	GREEN WW 2700K	AMBER WW 2700K	AMBER NW 4000K	AMBER UV	RED NW 6500K

Standard RAL and ELOX colours:

- RAL9016 (White)/ RAL9004 (Black)
- RAL7016 (Anthracite)
- ELO E6EV1 (Silver)
- special coatings on request

Remarks:

- prices include power supply
- for colour version DMX decoder or DALI included
- EXW prices excluding tax
- special configurations upon request

RALED*FLOOD*[®] RAHSB-120-8



8 Head Floodlight

RALED FLOOD® RAHSB-120-8

RALED FLOOD® HIGH POWER FLOODLIGHTS

Based on our unique multi head design the **RALED FLOOD®** flood lights are the only solution on the market with never seen benefits. Especially the high end flood light fixture with 8 heads provides very unique features for large area illumination like stadiums or industrial applications. Every head is flexible regarding beam angle, power rating and colour temperature. This flexibility offers a combination of wide beam angles for the short distance and small beam angles for the far distance with perfect uniformity. Combinations with full colour or RGB single colour heads are also possible.

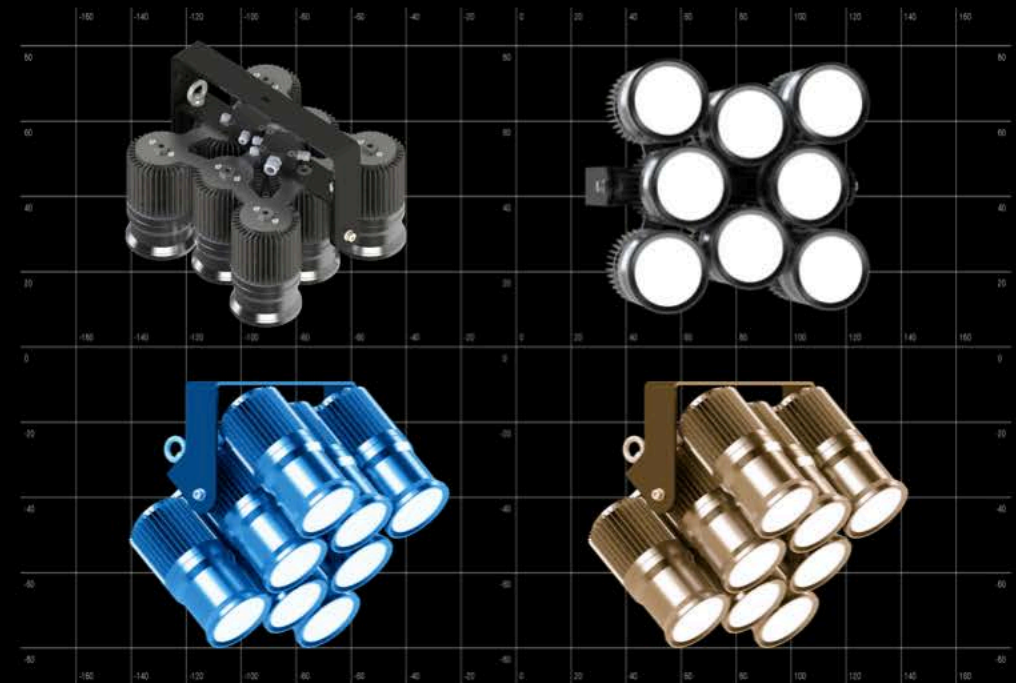
TYPICAL APPLICATIONS:

The **RALED FLOOD®** high performance flood lights are the perfect solution for 1st grade large stadium with full colour illumination tasks and large area industrial applications like crane flood lights and goods handling arrays. With very narrow beam angles it provides also the perfect solution for high rise facade illumination up to 400 m height. And all this comes with power savings of more than 80%.

UNIQUE FEATURES:

- ✓ multi head design
- ✓ high performance
- ✓ changeable beam angles
- ✓ full colour
- ✓ high efficient

„the future of flood light“



Cable connection with 2,0 m length:



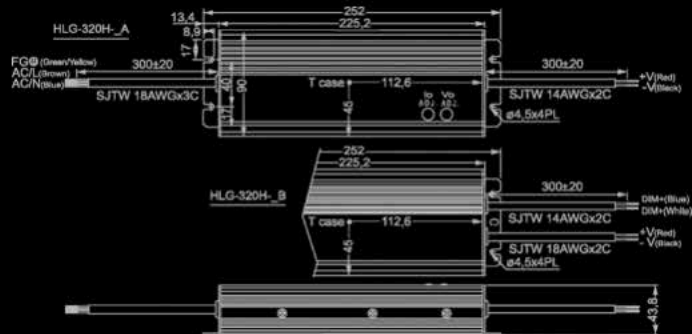
Plug connection:



COB configuration:



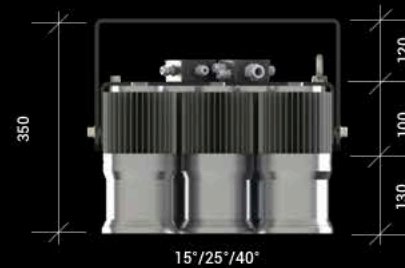
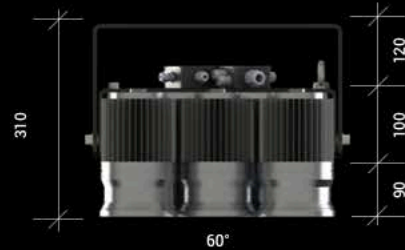
Power supply information:



Luminous emittance:



Dimensions:



Type:	RAHSB-120-8
System power (WW/NW/CW):	up to 480W/ outdoor up to 640W
System power (RGBW):	single colour max. 55W/ head total colour mix max. 60W/ head
Operating voltage:	90-308VAC or 130-430 VDC
Operating frequency:	47 - 63 Hz
Harmonic distortion:	THD < 20%
Operating temperature:	< 60°C
Operating humidity:	10% < φ < 90%
Beam angle:	15 / 25 / 40 / 60 and 100°
Colour temperature (CCT):	CW / NW / WW / RGBW / R/ G/ B/ A
Special colours (Dual colour COB):	WW, or NW, or CW with RGB , A
Colour rendering (CRI):	>80, up to CRI 98 on request
Efficacy (WW/NW/CW)	144 Lm/ W
Efficacy (RGBW)	R=89/G=104/B=54/W=112 Lm/W
Wavelength (RGB):	R=610 / G=520 / B=470 nm
Appearance:	AL anodised, Black, Silver or RAL paint
Protection degree / class:	IP65 / I / II or III (with ext. power supply)
Life span:	more than 80.000 hours
Control system:	DMX / DALI / 1-10V / custom
Power supply type:	2 x HLG 320
Weight:	26,5 kg

RALED FLOOD® RAHSB-120-8

Sample order code:

RAHSB-120-8-25-WW-2700K-480W-IP65-DS-RAL9022+PC+DB

Model Code:	Beam Angle	COB	CCT	480W	640W (outdoor)	Protection Degree	Options
	15/25/40° 	WW	1800K			IP 65	Diffuser Satin (-DS)
		WW	2700K				
		WW	3000K				
		NW	3500K				
		NW	4000K				
		CW	5000K				
	60° 	RGB/WW	3000K				
		RGB/ NW	4000K				
		R					
		G					
		B					
		100° 	WW/ CW		2500K/7000K		
G/ WW	2700K						
A/ WW	2700K						
A/ NW	4000K						
A/ UV							
R/ CW	6500K						
 <p>*4 single colour heads and 4 WW or NW heads!</p>							
							

WW 1800K	WW 2700K	WW 3000K	NW 3500K	NW 4000K	CW 5000K	CW 6000K	RGBWW 3000K	RGBNW 4000K
RED	GREEN	BLUE	WW/CW 2500/7000K	GREEN WW 2700K	AMBER WW 2700K	AMBER NW 4000K	AMBER UV	RED CW 6500K

Standard RAL and ELOX colours:

- RAL9016 (White)/ RAL9004 (Black)
- RAL7016 (Anthracite)
- ELO E6EV1 (Silver)
- special coatings on request

Remarks:

- prices include power supply
- for colour version DMX decoder or DALI included
- EXW prices excluding tax
- special configurations upon request