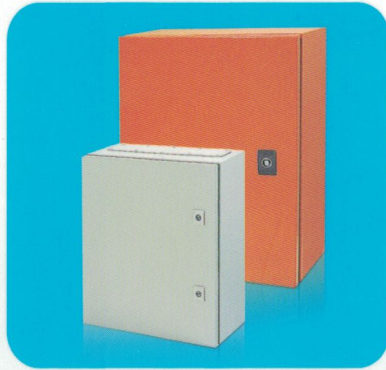




Super Dense  
INTERNATIONAL LIMITED



**CATALOGUE**

# WATERTIGHT ENCLOSURE



Cold Rolled Steel

Outdoor Powder Coating RAL7032 or Orange

With Earthing Cable

Item Code	Dimension (mm)				Lock Distance (mm)	No. of Door Lock	Drawing Reference		Mounting Plate (mm)		Thickness (mm)		
	Height (A)	Width (B)	Depth (C)	Length (D)			Fig.	Gland Plate	Height (E)	Width (F)	Body	Door	Mounting Plate
MB-2520D140	250	200	140	-	1	1	A	215	150	1.0	1.0	1.5	
MB-3025D200	300	250	200	-	1	1	B	265	200	1.0	1.0	1.5	
MB-4030D200	400	300	200	-	1	1	C	365	250	1.0	1.0	1.5	
MB-5040D200	500	400	200	210	2	2	C	465	350	1.2	1.2	2.0	
MB-6040D260	600	400	260	280	2	2	D	565	350	1.2	1.5	2.0	
MB-7050D260	700	500	260	380	2	2	D	665	450	1.5	1.5	2.0	
MB-8060D260	800	600	260	450	2	2	D	765	550	1.5	1.5	2.0	
MB-8060D320	800	600	320	450	2	2	D	765	550	1.5	1.5	2.0	
MB-1060D320	1000	600	320	600	2	2	D	965	550	1.5	1.5	2.0	
MB-1080D320	1000	800	320	600	2	2	E	965	750	1.5	1.5	2.0	
MB-1280D320	1200	800	320	850	3	3	E	1165	750	1.5	1.5	2.0	



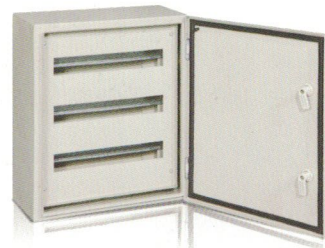
CE IP 55-65



WATERTIGHT ENCLOSURE



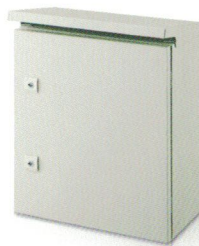
INTERNAL DOOR  
FOR WATERTIGHT ENCLOSURE



MCB DISTRIBUTION BOARD



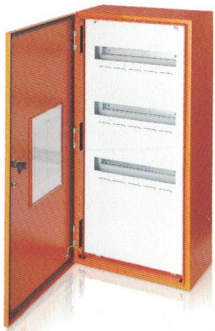
WATERTIGHT ENCLOSURE  
WITH TRANSPARENT DOOR



CANOPY FOR WATERTIGHT ENCLOSURE



DOUBLE DOOR  
WATERTIGHT ENCLOSURE



DISTRIBUTION BOX



DOUBLE DOOR MODULAR CABINET



DIN RAIL SYSTEM FOR MODULAR CABINET



FIG 1

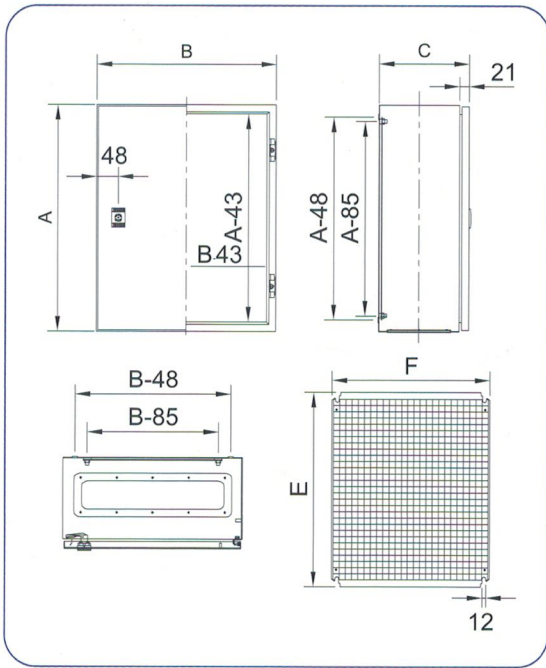


FIG 2

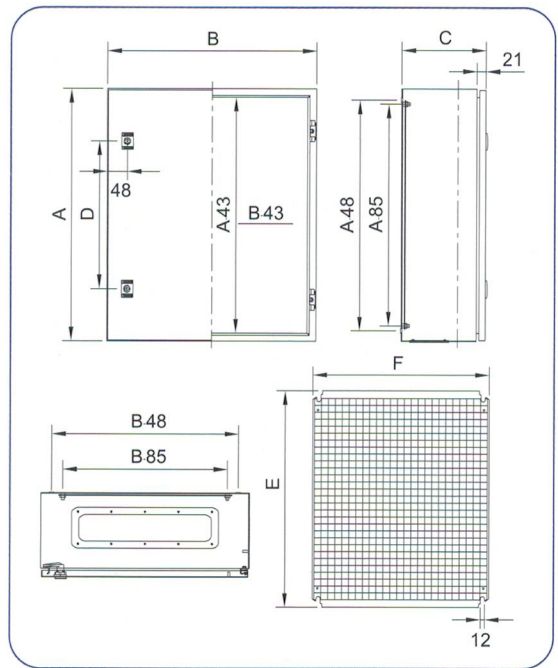
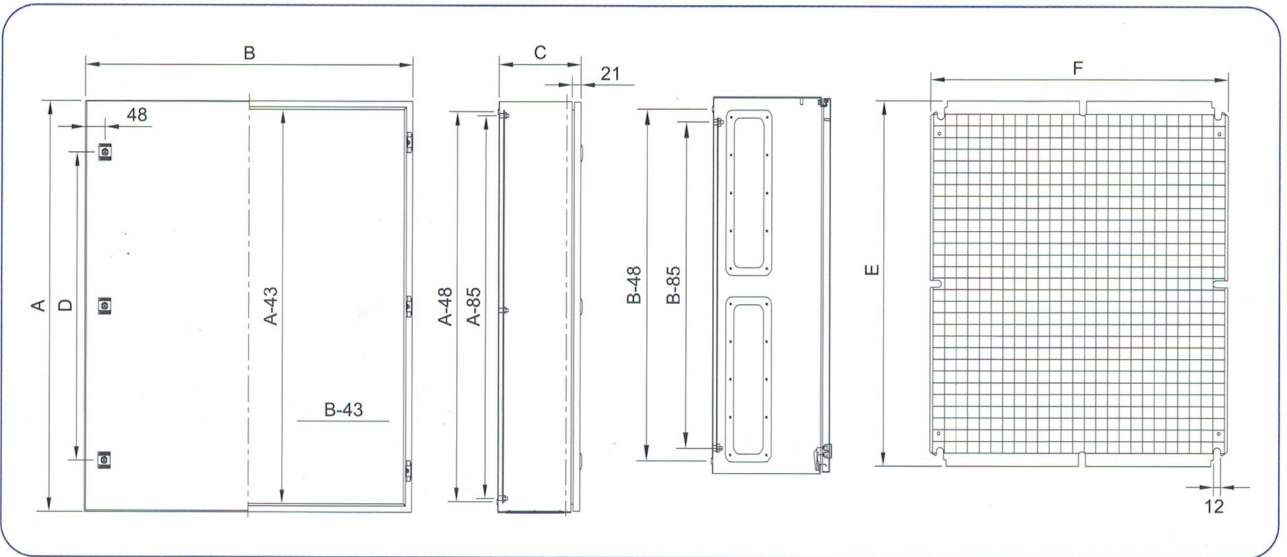
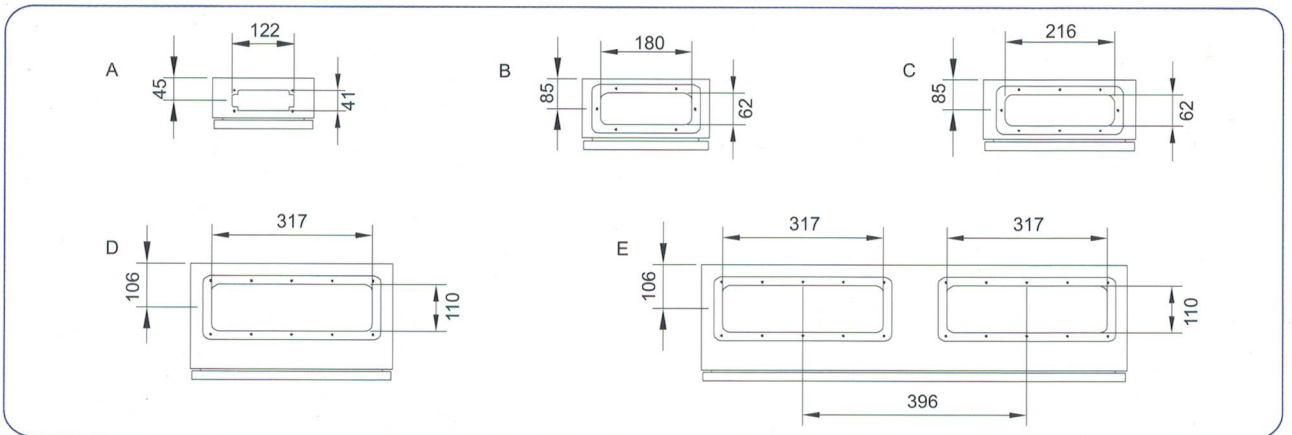


FIG 3



Gland Plate



# INTERNAL DOOR FOR WATERTIGHT ENCLOSURE



FIG 1

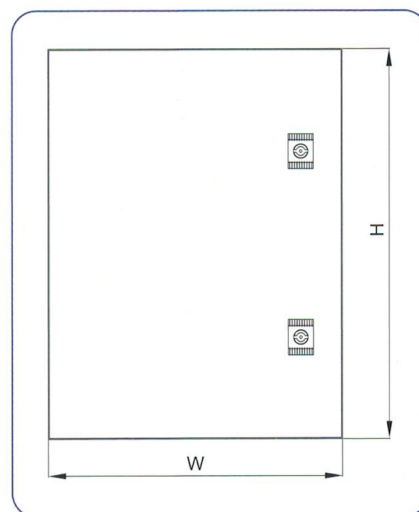
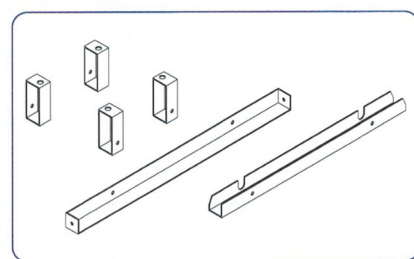


FIG 2



Cold Rolled Steel

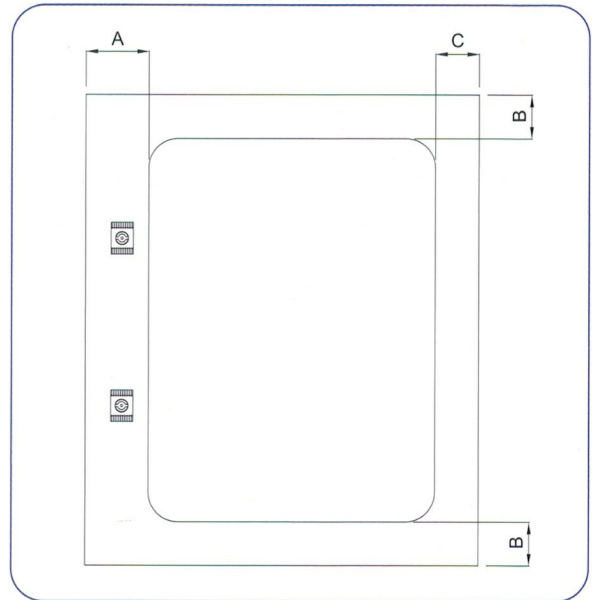
Outdoor Powder Coating RAL7032 or White

Item Code	Dimension (mm)		No. of Door Lock	Thickness (mm)
	Height (H)	Width (W)		Internal Door
MB-ID2520	196	137	1	1.0
MB-ID3025	246	187	1	1.0
MB-ID4030	346	237	1	1.5
MB-ID5040	446	337	1	1.5
MB-ID6040	546	337	1	1.5
MB-ID7050	646	437	1	1.5
MB-ID8060	746	537	2	1.5
MB-ID1060	946	537	2	1.5
MB-ID1080	946	737	2	1.5
MB-ID1280	1146	737	2	1.5

# WATERTIGHT ENCLOSURE WITH TRANSPARENT DOOR



FIG 1



- Cold Rolled Steel**
- Outdoor Powder Coating RAL7032 or Orange**
- Acrylic Sheet or Tempered Glass are available for transparent sheet
- With Earthing Cable

Item Code	Dimension (mm)						Transparent Sheet Size (mm)		
	Height	Width	Depth	Length (A)	Length (B)	Length (C)	Length	Width	Thickness
MW-3025D200	300	250	200	80	55	55	180	105	3
MW-4030D200	400	300	200	80	55	55	280	155	3
MW-5040D200	500	400	200	80	55	55	378	255	3
MW-6040D260	600	400	260	80	55	55	478	255	3
MW-7050D260	700	500	260	80	80	80	528	330	3
MW-8060D260	800	600	260	120	120	120	548	350	3
MW-8060D320	800	600	320	120	120	120	548	350	3
MW-1060D320	1000	600	320	120	150	120	688	350	3
MW-1080D320	1000	800	320	150	150	150	688	490	3
MW-1280D320	1200	800	320	150	180	150	828	490	3

# CANOPY FOR WATERTIGHT ENCLOSURE

FIG 1

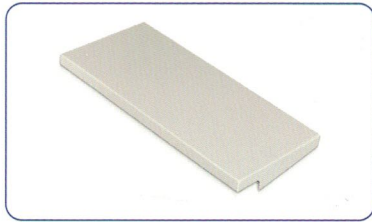


FIG 2



Cold Rolled Steel

Outdoor Powder Coating RAL7032 or Orange

FIG 1

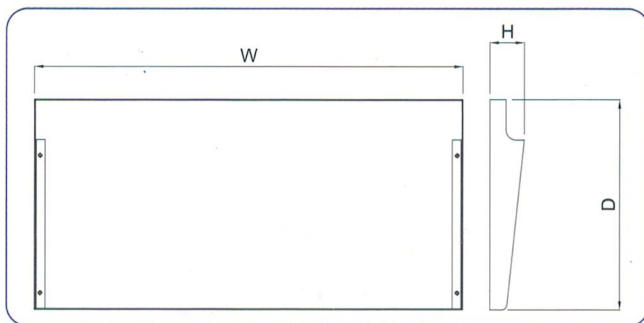
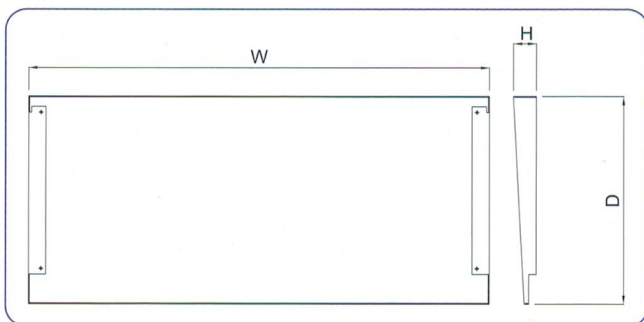


FIG 2



Item Code	Dimension (mm)		
	Height (H)	Width (W)	Depth (D)
CNP-3020	53	310	225
CNP-4020	53	410	225
CNP-4026	53	410	285
CNP-5020	53	510	225
CNP-5026	53	510	285
CNP-6020	53	610	225
CNP-6026	53	610	285
CNP-8030	53	810	325

Item Code	Dimension (mm)		
	Height (H)	Width (W)	Depth (D)
CNP1-2014	40	204	182
CNP1-2520	40	254	242
CNP1-3020	40	304	242
CNP1-4020	40	404	242
CNP1-4026	40	404	302
CNP1-5026	40	504	302
CNP1-6026	40	604	302
CNP1-6032	40	604	362
CNP1-8032	40	804	362

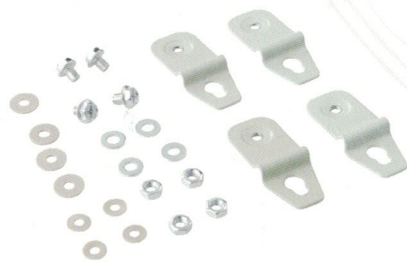
# DOUBLE DOOR WATERTIGHT ENCLOSURE



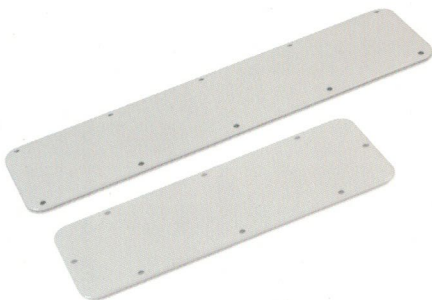
## LOUVER PLATES



## ACCESSORIES



## GLAND PLATES



## LOCKS





FIG 1

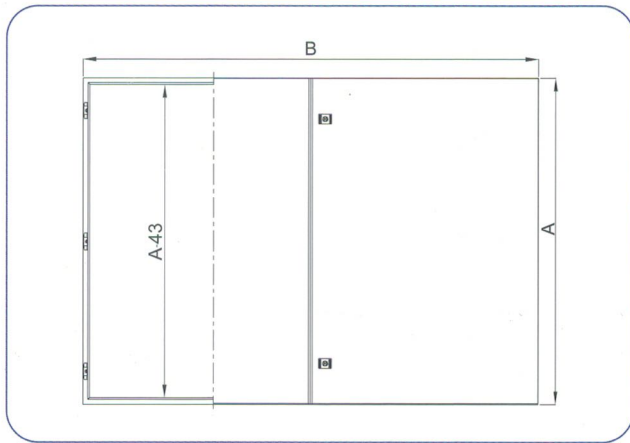


FIG 2

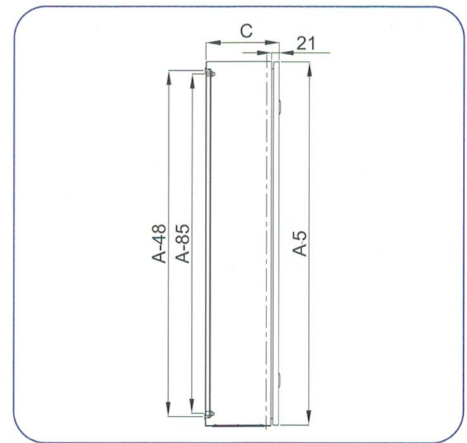


FIG 3

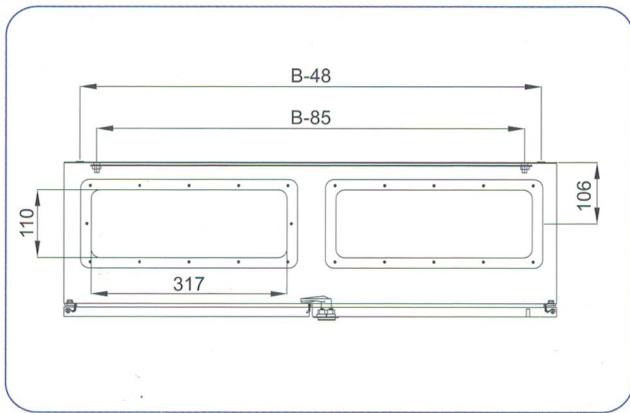
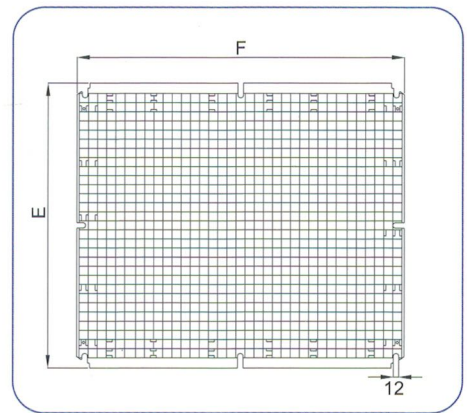


FIG 4



Cold Rolled Steel

Outdoor Powder Coating RAL7032 or Orange

With Earthing Cable

Item Code	Dimension (mm)			No. of Door Lock	Mounting Plate (mm)		Thickness (mm)		
	Height (A)	Width (B)	Depth (C)		Height (E)	Width (F)	Body	Door	Mounting Plate
MBD-6080D25	600	800	250	2	565	750	1.5	1.5	2.0
MBD-6010D30	600	1000	300	2	565	950	1.5	1.5	2.0
MBD-6012D30	600	1200	300	2	565	1150	1.5	1.5	2.0
MBD-8012D30	800	1200	300	2	765	1150	1.5	1.5	2.0
MBD-1010D30	1000	1000	300	2	965	950	1.5	1.5	2.0
MBD-1210D30	1200	1000	300	3	1165	950	1.5	1.5	2.0
MBD-1212D30	1200	1200	300	3	1165	1150	1.5	1.5	2.0
MBD-1410D30	1400	1000	300	3	1365	950	1.5	1.5	2.0

# Accredited Certificates



FOSHAN NANHAI MAOXIN  
ELECTRICAL CO., LTD.  
(CERTIFIED WITH ISO 9001)



## Watertight Surface Mounting Enclosure

IEC 60529 & EN 60529

## Modular Cabinet

EN62208

VERIFICATION OF CONFORMITY

Reference No. : WTF13F1008090X2S  
 Applicant : Super Dense International Limited  
 Address : 2/F, 31 Lok Yip Road, On Lok Tsuen, Fanling, N. T.,  
 Hong Kong  
 Manufacturer : Foshan Nanhai Maoxin Electrical Co., Ltd.  
 Address : No. 2 South Area, LiYu Industrial Zone, Danzao Town,  
 Nanhai District, Foshan City, Guangdong Province,  
 China  
 Product : Watertight Surface Mounting Enclosure  
 Model No. : MB-2520D150, MB-3025D200, MB-4030D200,  
 MB-5040D200, MB-6040D200, MB-8040D260,  
 MB-6050D200, MB-6050D260, MB-7050D200,  
 MB-7050D260, MB-8060D200, MB-8060D260,  
 MB-1060D260, MB-1080D320  
 Technical data : Enclosure of electric system: 100-380V~, 50/60Hz; IP65



Test Standards:  
 IEC 60529:1989 + A1:1999 + Cor.1:2003 + Cor.2:2007 + Cor.3:2009

The above product has been tested by us with the listed standards

Degrees of protection provided by enclosures (IP Code)

Manager  
 Date: Dec 10, 2013

The statement is based on a single evaluation of the sample of above mentioned product. It does not imply an assessment of the whole production.

WALTEK SERVICES CO., LTD.  
 Tel: +86-755-8355 1033 Fax: +86-755-8355 2400  
 Http://www.waltek.com.cn E-mail: info@waltek.com.cn  
 Hotline: 400-0235-898

